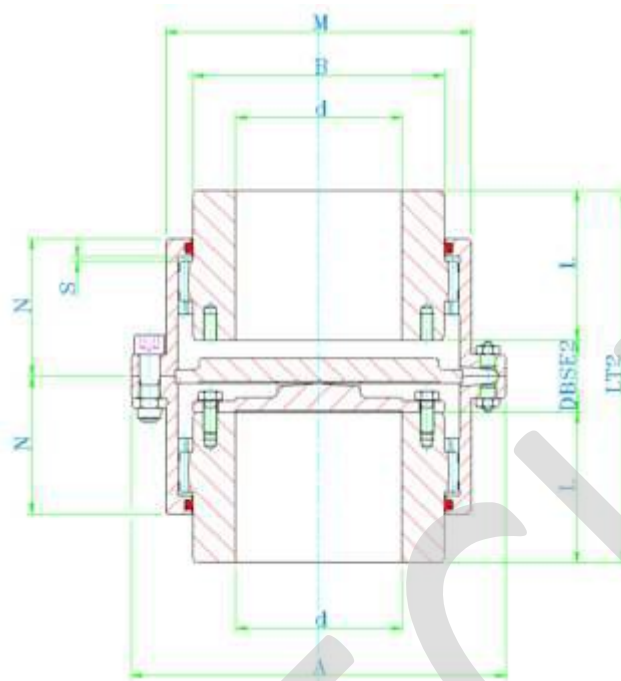


GEAR COUPLINGS FOR VERTICAL APPLICATION

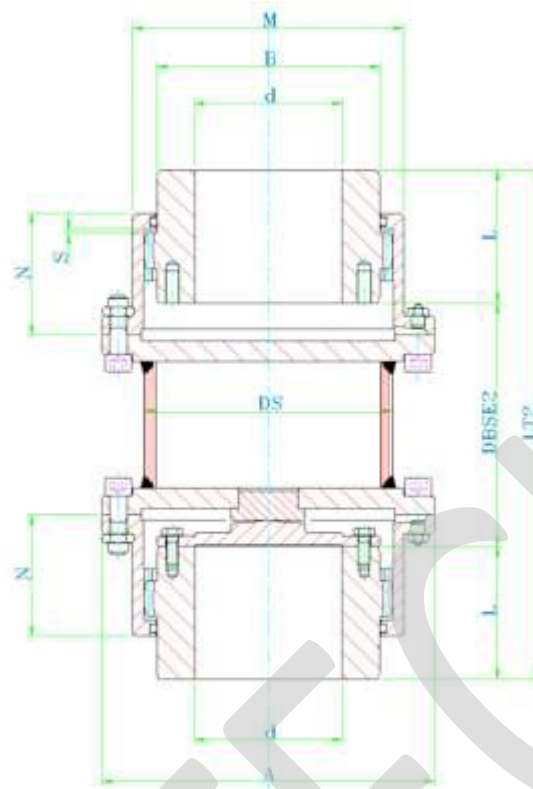
FGC.V SERIES



SIZE	Tk [kNm]	Tmax [kNm]	MAX SPEED [rpm]	MAX BORE d [mm]	A [mm]	B [mm]	L [mm]	LT2 [mm]	M [mm]	N [mm]	DBSE2 [mm]
FGC.96.V	1.9	4.2	6000	52	111	68	43	109	82.5	39	23
FGC.122.V	2.9	6.8	4550	62	142	86	50	123	104.6	45.5	23
FGC.148.V	5.7	14.0	4000	78	168	105	62	155	130.5	59	31
FGC.178.V	9.0	21.5	3900	98	200	132	76	183	158.4	68	31
FGC.203.V	14.5	35.0	3700	112	225	151	90	223	183.4	82.5	43
FGC.236.V	22.8	54.7	3550	132	265	179	105	258	211.5	93	48
FGC.270.V	34.8	83.5	3000	156	300	209	120	298	245.5	106	58
FGC.300.V	45.8	110	2750	174	330	234	135	336	275	118	66
FGC.335.V	70.8	170	2420	190	370	255	150	392	307	138	92
FGC.368.V	85.4	205	2270	210	406	280	175	448	335	154	98
FGC.400.V	150	360	1950	233	439	306	190	488	367	166	108
FGC.460.V	200	480	1730	280	505	356	220	450	423	193	134

GEAR COUPLINGS WITH TUBULAR SPACER FOR VERTICAL APPLICATION

FGC.TV SERIES



SIZE	Tk [kNm]	Tmax [kNm]	MAX SPEED [rpm]	MAX BORE d [mm]	A [mm]	B [mm]	L [mm]	M [mm]	N [mm]
FGC.96.TV	1.9	4.2	6000	52	111	68	43	82.5	39
FGC.122.TV	2.9	6.8	4550	62	142	86	50	104.6	45.5
FGC.148.TV	5.7	14.0	4000	78	168	105	62	130.5	59
FGC.178.TV	9.0	21.5	3900	98	200	132	76	158.4	68
FGC.203.TV	14.5	35.0	3700	112	225	151	90	183.4	82.5
FGC.236.TV	22.8	54.7	3550	132	265	179	105	211.5	93
FGC.270.TV	34.8	83.5	3000	156	300	209	120	245.5	106
FGC.300.TV	45.8	110	2750	174	330	234	135	275	118
FGC.335.TV	70.8	170	2420	190	370	255	150	307	138
FGC.368.TV	85.4	205	2270	210	406	280	175	335	154
FGC.400.TV	150	360	1950	233	439	306	190	367	166
FGC.460.TV	200	480	1730	280	505	356	220	423	193