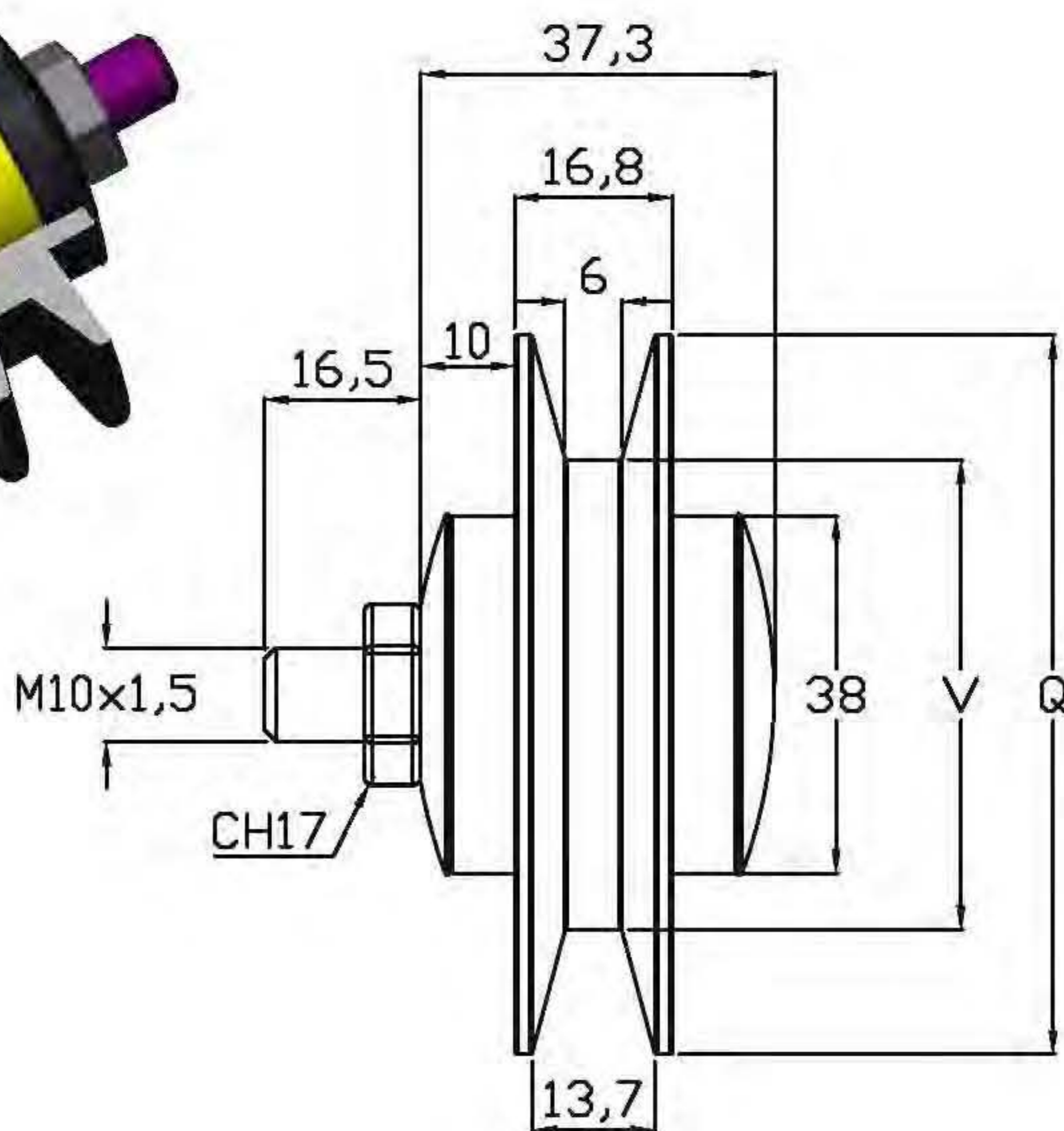
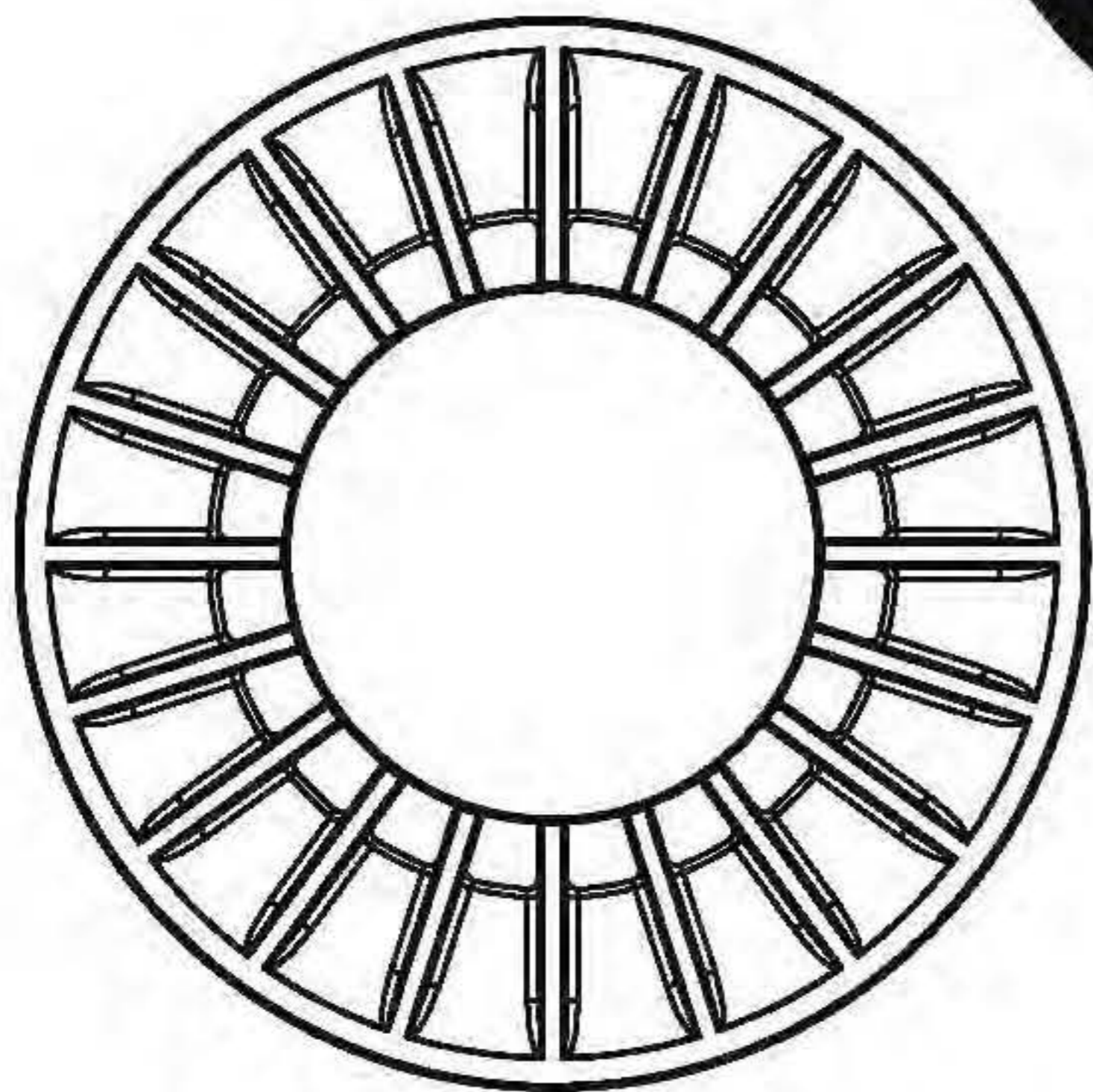
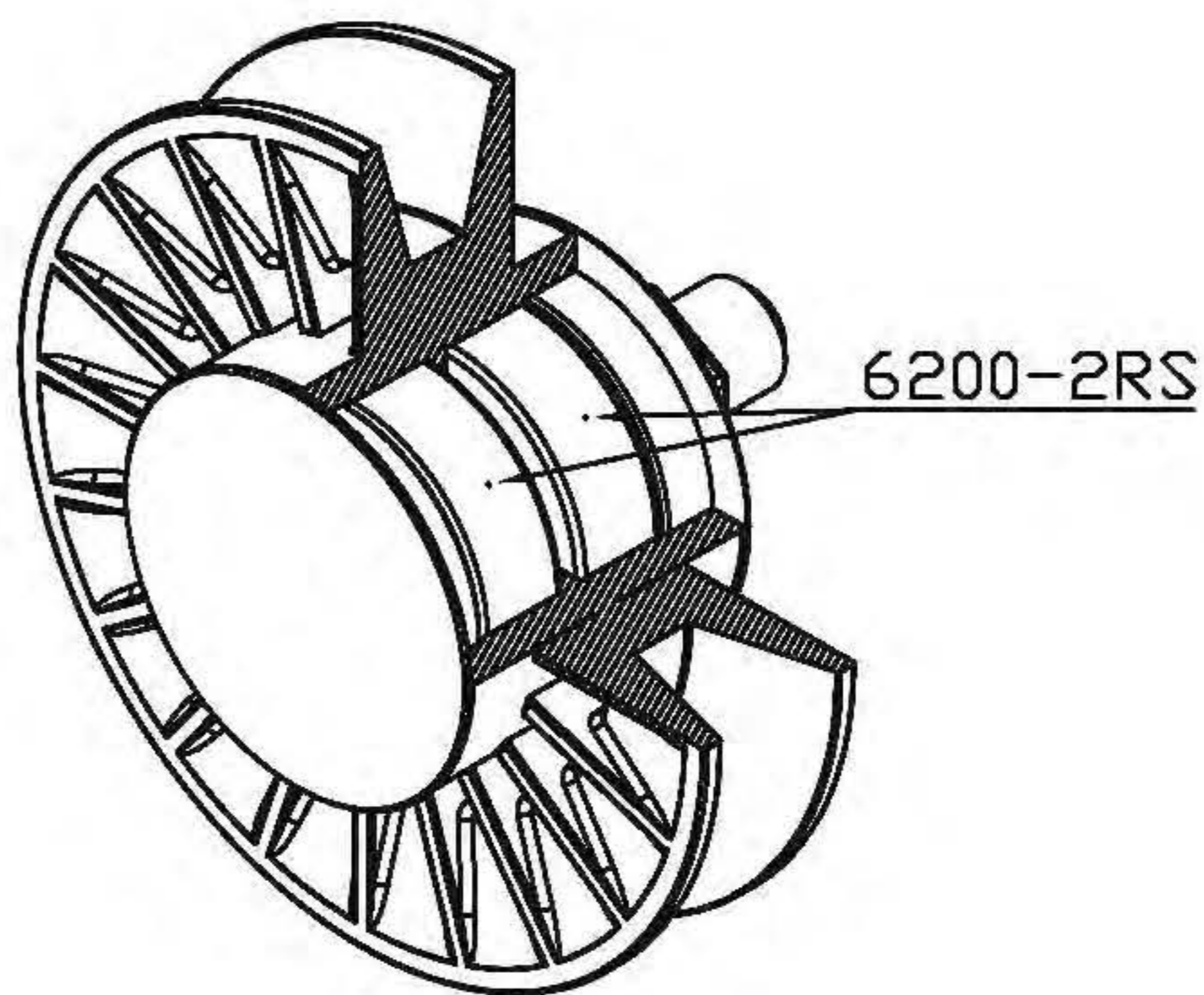
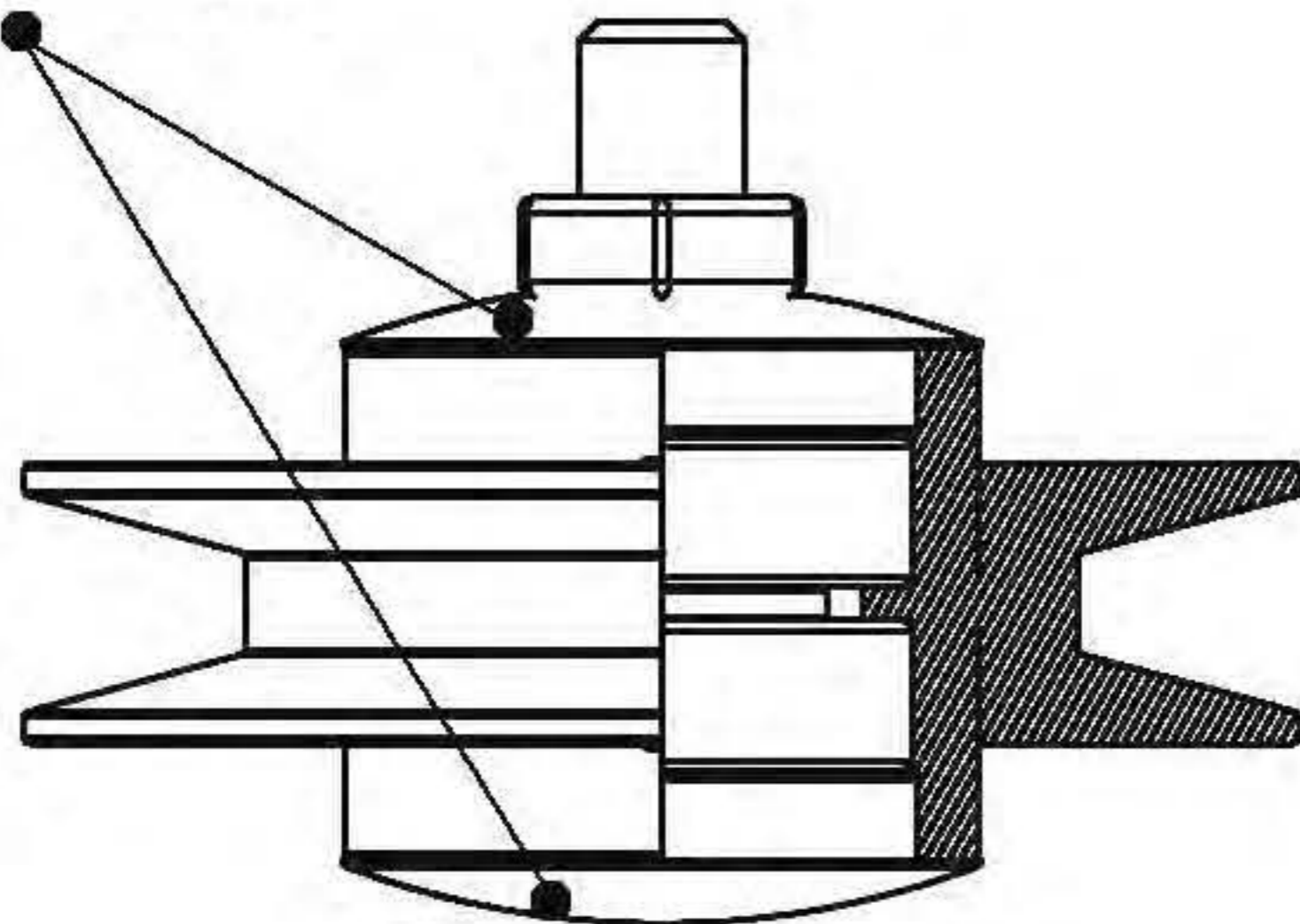


PUG 3" - 4"

PA-6 PLASTIC MATERIAL RIM PULLEY



PROTECTION CAPS



COD	Q (Ø)	V (Ø)	KG	SCREWING UP COUPLE
PUG3	76,5	50	0,165	25Nm
PUG4	102	75,4	0,188	25Nm