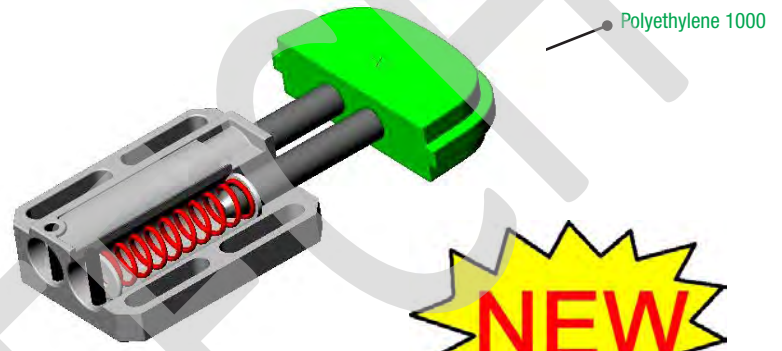


T008

T08 automatic linear spring-action chain tensioners consisting of a base in special, very sturdy, antiseize aluminum alloy with tensile strength of 440MPa that ensures perfect glide on high tensile strength galvanized steel rods, to which the chain tensioning head or shoe in polyethylene 1,000,000 UHMW is fastened.



NEWTON

95-190

130-250

NEWTON

INOX

110-240

Range

-50°+80°C

Chain

U=8x3 05B1 & <08B-1

3/8"x7/32" 06B-1-2

1/2"x5/16" 08B-1-2

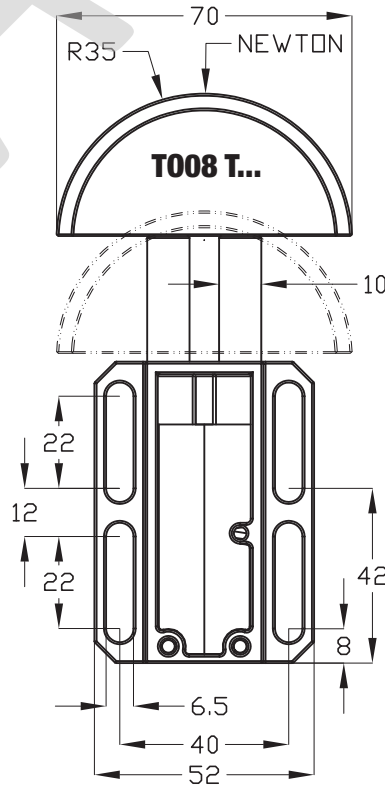
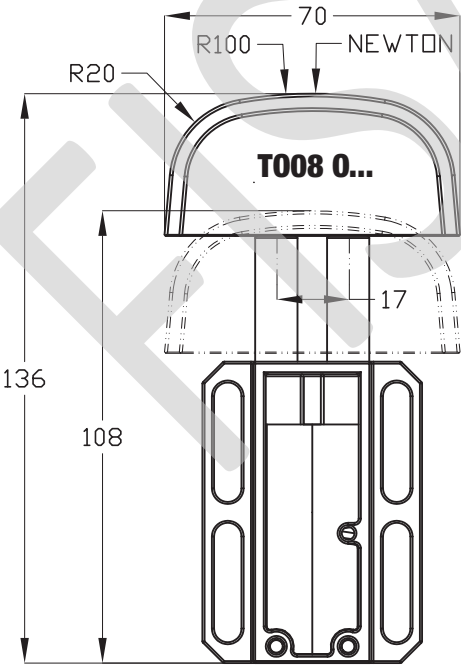
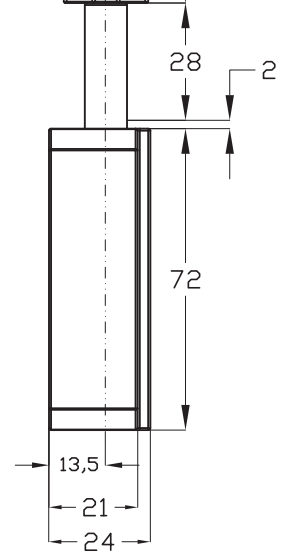
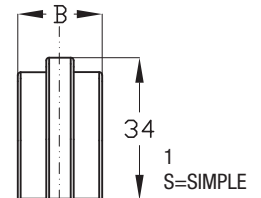
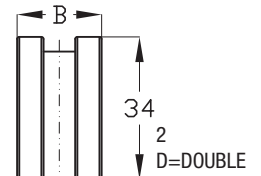
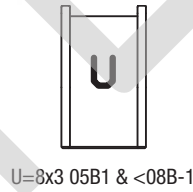
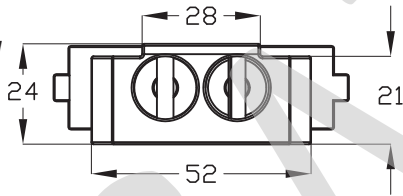
5/8"x3/8" 10B-1-2

ASA35 06C-1-2

ASA40 08A-1-2

Special aluminum alloy that avoids seizure

MPa-440



TO08 O ... TO08 T ...

EXAMPLE COD: TO08 O 38S

NEWTON STANDARD COLOR

COD		B	NEWTON		CHAIN PITCH	KG
O	T		MIN	MAX		
$U = 8x3 - 3/8" - 1/2"$						
TO080U	TO08TU	20	130	250	8x3 - 3/8" - 1/2"	0,28
TO080U190	TO08TU190	20	95	190	8x3 - 3/8" - 1/2"	0,28
$3/8"$						
TO08038S	TO08T38S	20	130	250	3/8" x 7/32"	0,28
TO08038S190	TO08T38S190	20	95	190	3/8" x 7/32"	0,28
TO08038D	TO08T38D	20	130	250	3/8" x 7/32"	0,28
TO08038D190	TO08T38D190	20	95	190	3/8" x 7/32"	0,28
$1/2"$						
TO08012S	TO08T12S	20	130	250	1/2" x 5/16"	0,28
TO08012S190	TO08T12S190	20	95	190	1/2" x 5/16"	0,28
TO08012D	TO08T12D	20	130	250	1/2" x 5/16"	0,28
TO08012D190	TO08T12D190	20	95	190	1/2" x 5/16"	0,28
$5/8"$						
TO08058S	TO08T58S	20	130	250	5/8" x 3/8"	0,28
TO08058S190	TO08T58S190	20	95	190	5/8" x 3/8"	0,28
TO08058D	TO08T58D	25	130	250	5/8" x 3/8"	0,29
TO08058D190	TO08T58D190	25	95	190	5/8" x 3/8"	0,29

COD		B	NEWTON		CHAIN PITCH	KG
O	T		MIN	MAX		
ASA35						
TO080ASA35S	TO1TASA35S	20	130	250	ASA35	06C.1 0,28
TO080ASA35S190	TO1TASA35S190	20	95	190	ASA35	06C.1 0,28
TO080ASA35D	TO1TASA35D	20	130	250	ASA35.2	06C.2 0,28
TO080ASA35D190	TO1TASA35D190	20	95	190	ASA35.2	06C.2 0,28
ASA40						
TO080ASA40S	TO1TASA40D	20	130	250	ASA40.1	08A.1 0,28
TO080ASA40S190	TO1TASA40D190	20	95	190	ASA40.1	08A.1 0,28
TO080ASA40D	TO1TASA40D	25	130	250	ASA40.2	08A.2 0,29
						08A.2 0,29

EXAMPLE COD: TO08 O 38S



TO08 O ... INOX TO08 T ... INOX

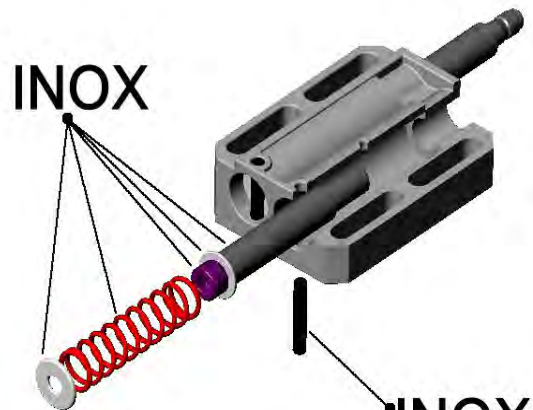
NEWTON INOX
110-240

COD + INOX
EXAMPLE COD: TO08 O 38S INOX

COD		B	NEWTON		CHAIN PITCH	KG
O	T		MIN	MAX		
$U = 8x3 - 3/8" - 1/2"$						
TO080UINOX	TO08TUINOX	20	110	240	8x3 - 3/8" - 1/2"	0,28
$3/8"$						
TO08038SINOX	TO08T38SINOX	20	110	240	3/8" x 7/32"	0,28
TO08038DINOX	TO08T38DINOX	20	110	240	3/8" x 7/32"	0,28
$1/2"$						
TO08012SINOX	TO08T12SINOX	20	110	240	1/2" x 5/16"	0,28
TO08012DINOX	TO08T12DINOX	20	110	240	1/2" x 5/16"	0,28
$5/8"$						
TO08058SINOX	TO08T58SINOX	20	110	240	5/8" x 3/8"	0,28
TO08058DINOX	TO08T58DINOX	25	110	240	5/8" x 3/8"	0,29
ASA35						
TO080ASA35SINOX	TO08TASA35SINOX	20	110	240	ASA35	06C.1 0,28
TO080ASA35DINOX	TO08TASA35DINOX	20	110	240	ASA35.2	06C.2 0,28
ASA40						
TO080ASA40SINOX	TO08TASA40SINOX	20	110	240	ASA40	08A.1 0,28
TO080ASA40DINOX	TO08TASA40DINOX	25	110	240	ASA40.2	08A.2 0,29

For all the types above you can have a version with stud bolts, spring and all the setting up devices made of steel AISI 304.

INOX

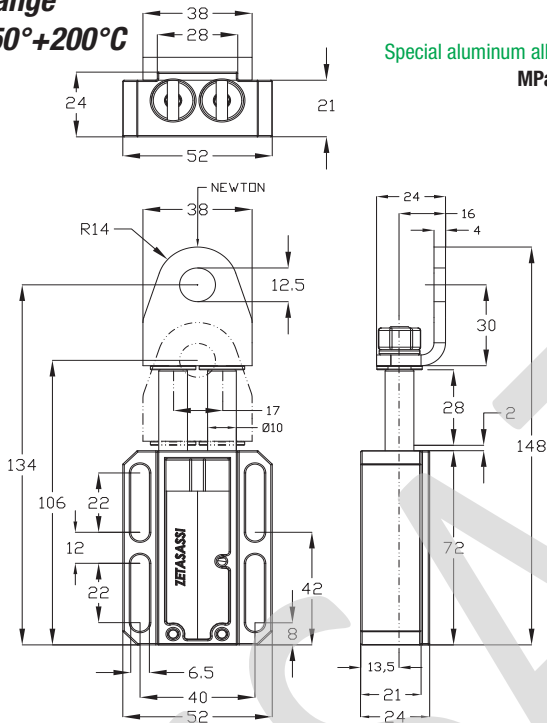


ETL08

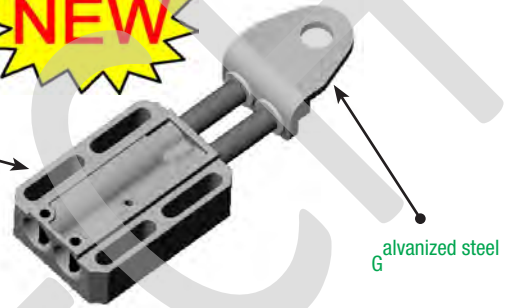
ETL08 automatic linear spring-action tensioners consisting of a base in special very sturdy antiseize aluminum alloy with tensile strength of 440MPa that ensures perfect glide on high tensile strength galvanized steel rods, to which L-shaped bracket in galvanized steel is fastened, where it is possible to install various accessories. Particularly useful when operating at high temperatures.



Range
-50°+200°C



Special aluminum alloy that avoids seizure
MPa-440



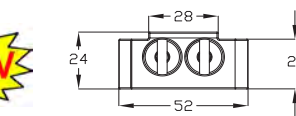
NEWTON STANDARD		COLOR		Kg
COD	MIN	MAX		
ETL08	130	250		0,33
ETL08190	95	190		

ET08BASE

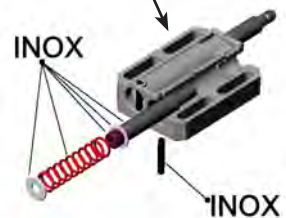
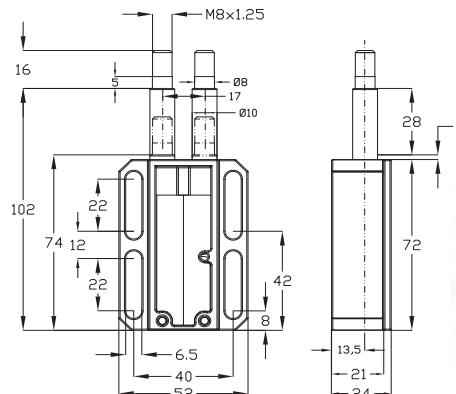
Range
-50°+200°C



ET08 BASE automatic linear spring-action tensioners consisting of a base in special, very sturdy, antiseize aluminum alloy with tensile strength of 440MPa that ensures perfect glide on high tensile strength galvanized steel rods with threading for connecting various components for any application.



NEWTON STANDARD		COLOR		Kg
COD	MIN	MAX		
ET08BASE	130	250		0,25
ET08BASE190	95	190		
ET08BASEINOX	110	240		



ETL08 PU

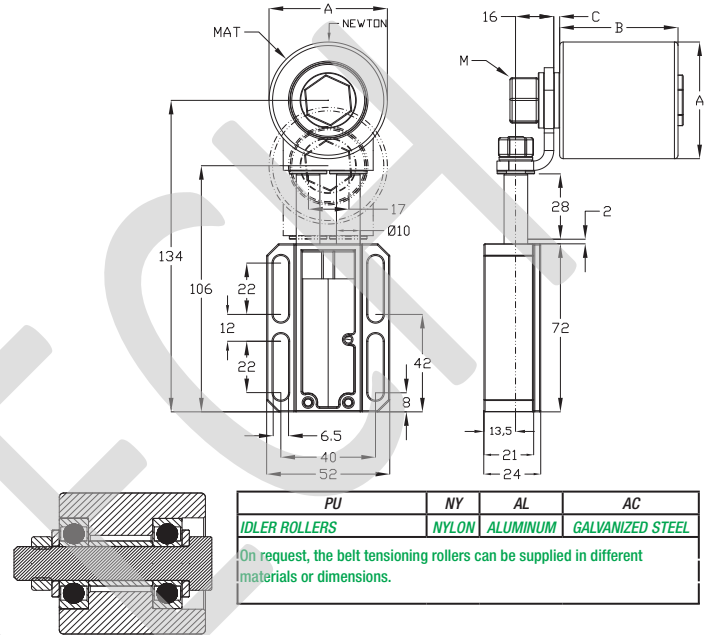
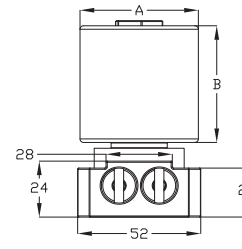
ETL08PU automatic linear spring-action belt tensioners consisting of a base in special, very sturdy, antiseize aluminum alloy with tensile strength of 440MPa that ensures perfect glide on high tensile strength galvanized steel rods, to which a L-shaped bracket in galvanized steel is fastened. The bracket is equipped with an idle chain tensioning roller with double-shielded bearings.



Range

-40°+120°C (AC-AL)
-40°+100°C (NY)

PU	COD	NEWTON		MAT	A (Ø)	B	C	M	Kg
		MIN	MAX						
Ø50 L50	ETL08PU5050AC	130	250	AC	50	50	2,5	M12x1,75 65	0,99
	ETL08PU5050AC190	95	190						
	ETL08PU5050AL	130	250	AL					0,58
	ETL08PU5050AL190	95	190						
	ETL08PU5050NY	130	250	NY					
ETL08PU5050NY190	95	190	NY						
Ø60 L60	ETL08PU6060AC	130	250	AC	60	60	2,5	M12x1,75 75	1,5
	ETL08PU6060AC190	95	190						
	ETL08PU6060AL	130	250	AL					0,9
	ETL08PU6060AL190	95	190						
	ETL08PU6060NY	130	250	NY					
ETL08PU6060NY190	95	190	NY						



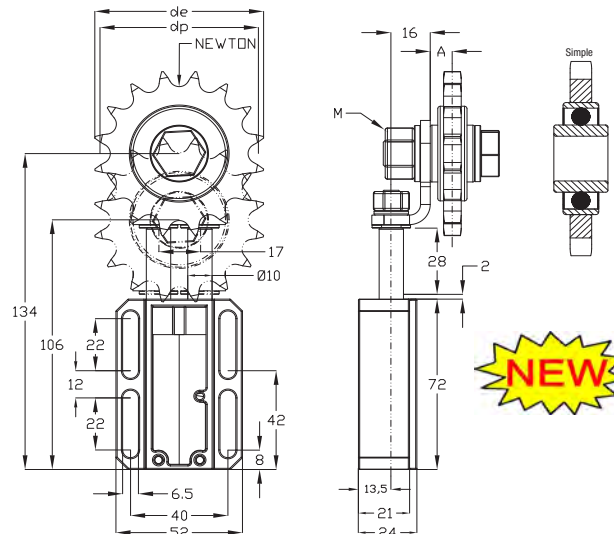
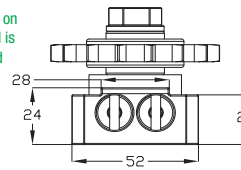
ETLR08

Range
-40°+130°C

ETLR automatic linear spring-action chain tensioners consisting of a base in special, very sturdy, antiseize aluminum alloy with tensile strength of 440MPa that ensures perfect glide on high tensile strength galvanized steel rods, to which a L-shaped bracket in galvanized steel is fastened. The bracket is equipped with an idle chain tensioning pinion with double-shielded bearings.



On request, draft model (TIRO)
On request, different teeth, bearings, Newton, can be supplied.



COD	NEWTON		CHAIN PITCH	TEETH	de	dp	Bearings	A	M	Kg	
	MIN	MAX									
3/8											
ETR1AC38S	130	250	3/8" x 7/32"	06B1	21	68	63,91	203 KRR AH02	9,1	M12x1,75 40	0,56
ETR1AC38S190	95	190									
1/2											
ETR1AC12SZ14	130	250	1/2" x 5/16"	08B1	14	61,8	57,07	203 KRR AH02	9,1	M12x1,75 40	0,58
ETR1AC12SZ14190	95	190									
ETR1AC12S	130	250		08B1	16	69,5	65,1	203 KRR AH02	9,1	M12x1,75 40	0,59
ETR1AC12S190	95	190									
5/8											
ETR1AC58S	130	250	5/8" x 3/8"	10B1	17	93	86,39	203 KRR AH02	9,1	M12x1,75 40	0,78
ETR1AC58S190	95	190									
3/4											
ETR1AC34SZ13	130	250	3/4" x 7/16"	12B1	13	87,5	79,59	203 KRR AH02	9,1	M12x1,75 40	0,87
ETR1AC34SZ13190	95	190									
ETR1AC34S	130	250		12B1	15	99,8	91,63	203 KRR AH02	9,1	M12x1,75 40	0,89
ETR1AC34S190	95	190									