

U-Shaped Vibration Insulator

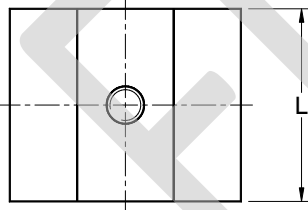
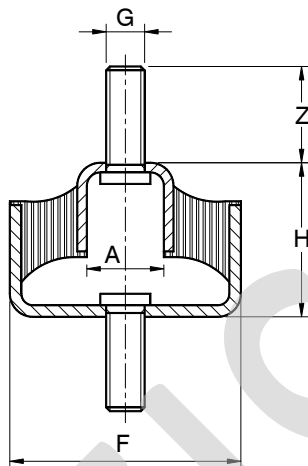
Uses:

- Generators
- Electric Motors
- Instruments
- Agricultural Machineries

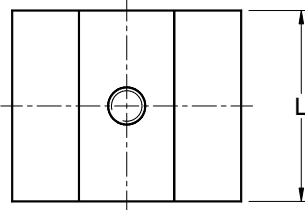
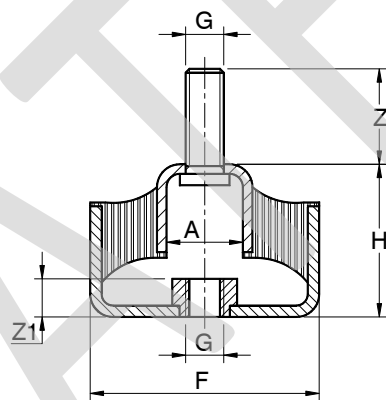


The U-shaped vibration insulator is able to work both under compression and under cut.

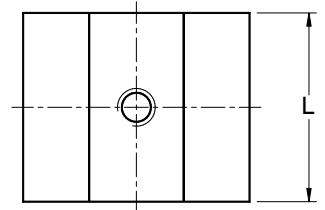
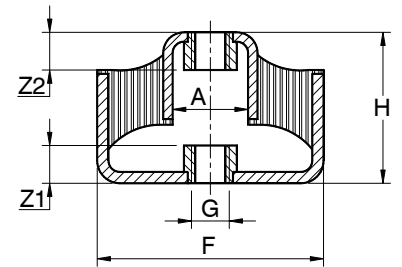
Type U-MM



Type U-MF



Type U-FF



Type	Code	Hardness Shore A	F mm	L mm	G mm	H mm	Z mm	Z1 mm	Z2 mm	A mm	Load* daN	Setting mm
U-MM	5700/45	45	60	50	M10	40	25	-	-	20	70	6
U-MM	5700/55	55	60	50	M10	40	25	-	-	20	110	6
U-MM	5700/65	65	60	50	M10	40	25	-	-	20	150	6
U-MF	5701/45	45	60	50	M10	40	25	7	-	20	70	6
U-MF	5701/55	55	60	50	M10	40	25	7	-	20	110	6
U-MF	5701/65	65	60	50	M10	40	25	7	-	20	150	6
U-FF	5702/45	45	60	50	M10	40	-	7	7	20	70	6
U-FF	5702/55	55	60	50	M10	40	-	7	7	20	110	6
U-FF	5702/65	65	60	50	M10	40	-	7	7	20	150	6

*Under compression

Technical Articles on Drawing

Thanks to forty-year experience in the field of antivibration mountings, manufactures industrial articles and metal/rubber items on drawing for several applications. Here below you can see some of them developed and produced during these years in order to fulfil our own customers' request. Our technical department, by the help of a powerful designing software, PRO-ENG, gives customers "key in hand" as to offer them solutions starting from the very first step of antivibration mountings project to reverse engineering.

OUR MAIN APPLICATION FIELDS:

Spare parts for earthmoving machines
"Special" items for hydraulic breakers
Supports for waste collection machines
Supports for bio-medical machines
"Special" mounts by polyurethane



BUILDING



AGRICULTURE



NAVAL



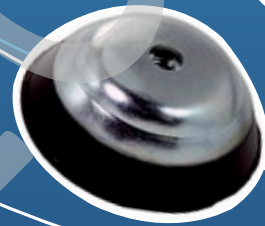
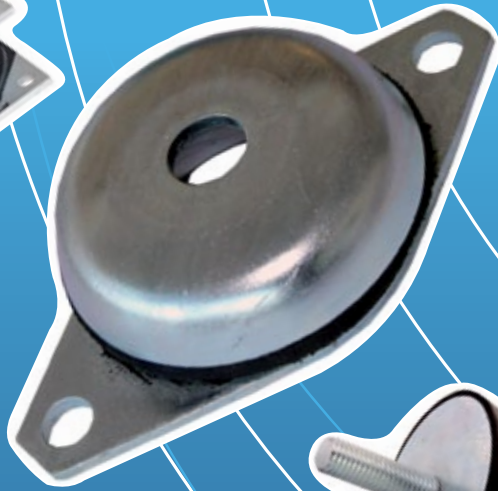
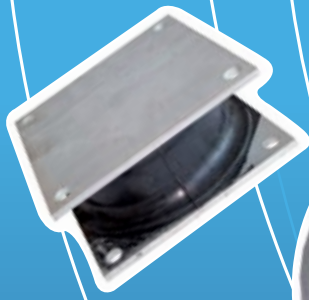
AUTOMOTIVE



INDUSTRY



**DO NOT HESITATE TO GET IN TOUCH
WITH US FOR AN ENQUIRY!**



FISATECH