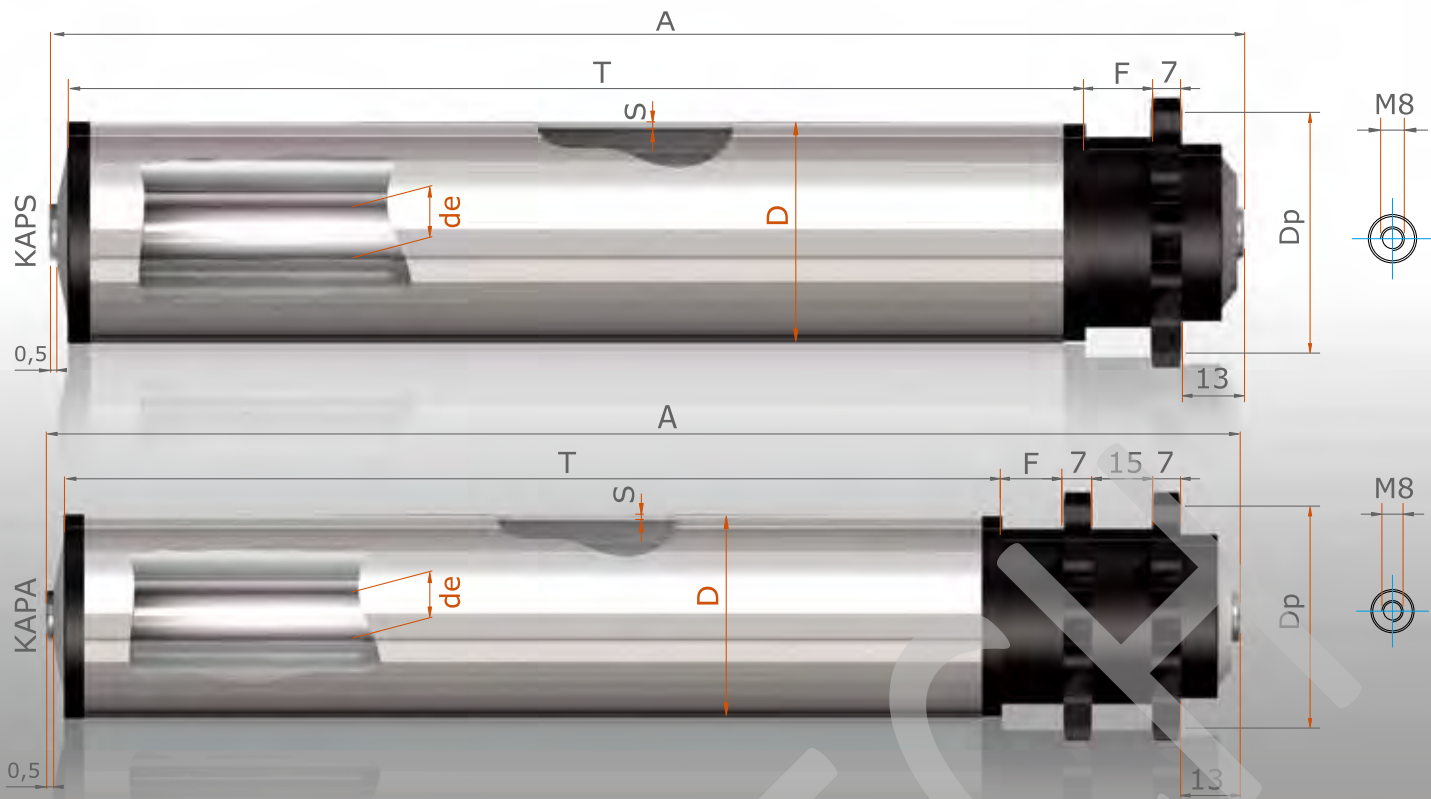


KAP PINION SPROCKET PVC ROLLERS

| CODE | D | S | de | A | P" | F | Z | Dp | T | WEIGHT L =200 | BY CM |
|------------|----|-----|------|--------|-------|-------|----|-------|--------|---------------|-------|
| KP50PS1211 | 50 | 2,8 | 12 | T+34,5 | 1/2" | 11,5 | 11 | 45,08 | A-34,5 | 0,447 | 0,015 |
| KP50PS1214 | | | | T+38 | | | | | A-38 | 0,571 | 0,018 |
| KP63PS1214 | 60 | 3 | 14 | T+53 | 1/2" | 15 | 14 | 57,07 | A-60 | 0,632 | 0,021 |
| KP50PA1214 | 50 | 2,8 | | T+34,5 | | | | | A-34,5 | 0,625 | 0,018 |
| KP63PA1214 | 60 | 3 | T+53 | A-60 | 0,712 | 0,021 | | | | | |

PRODUCT DESCRIPTION

Rollers with a polyamide tube of special construction mounted on PVC heads, with rigid radial bearings, prelubricated and protected. A pinion with one/two polymer ring gears is mounted by slotting at the end of the tube. They are indicated for conveyors with light loads.

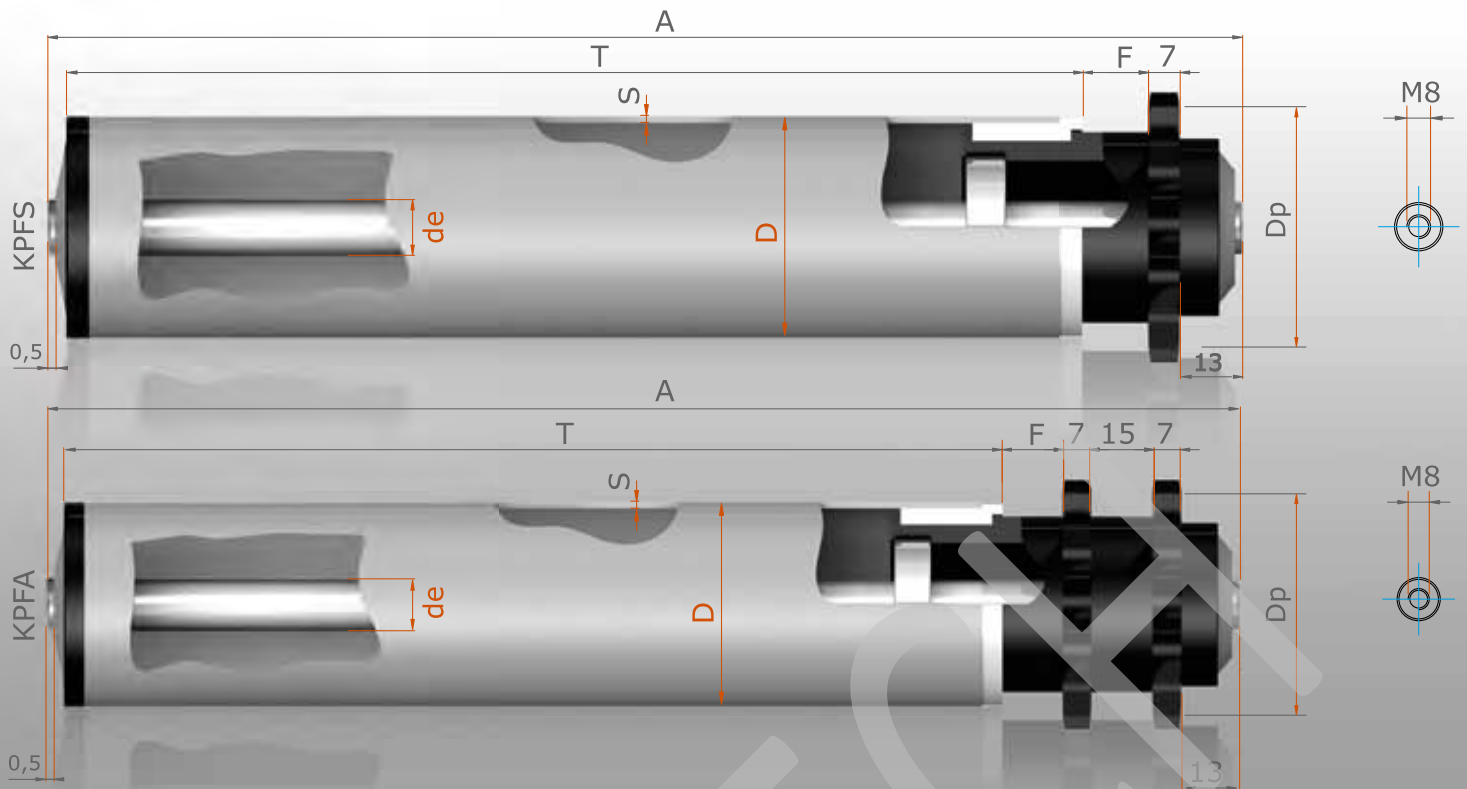


KAP PINION SPROCKET PVC ROLLERS

| CODE | D | S | de | A | P" | F | Z | Dp | T | WEIGHT L =200 | BY CM | |
|------------|----|-------|-------|--------|------|------|----|-------|--------|---------------|-------|-------|
| KA50PS1211 | 50 | 1,5 | 12 | T+34,5 | 1/2" | 11,5 | 11 | 45,08 | A-34,5 | 0,656 | 0,027 | |
| KA50PS1214 | | | | T+38 | | | | | A-38 | 0,779 | 0,030 | |
| KA60PS1214 | 60 | | 14 | T+60 | | 15 | 14 | | 57,07 | A-60 | 0,848 | 0,034 |
| KA50PA1214 | 50 | | | | | | | | | | 0,795 | 0,030 |
| KA60PA1214 | 60 | 0,864 | 0,034 | | | | | | | | | |

PRODUCT DESCRIPTION

Rollers with a steel tube mounted on PVC heads, with rigid radial bearings, prelubricated and protected.
 A pinion with one/two polymer ring gears is mounted by slotting at the end of the tube.
 They are indicated for conveyors with light loads.

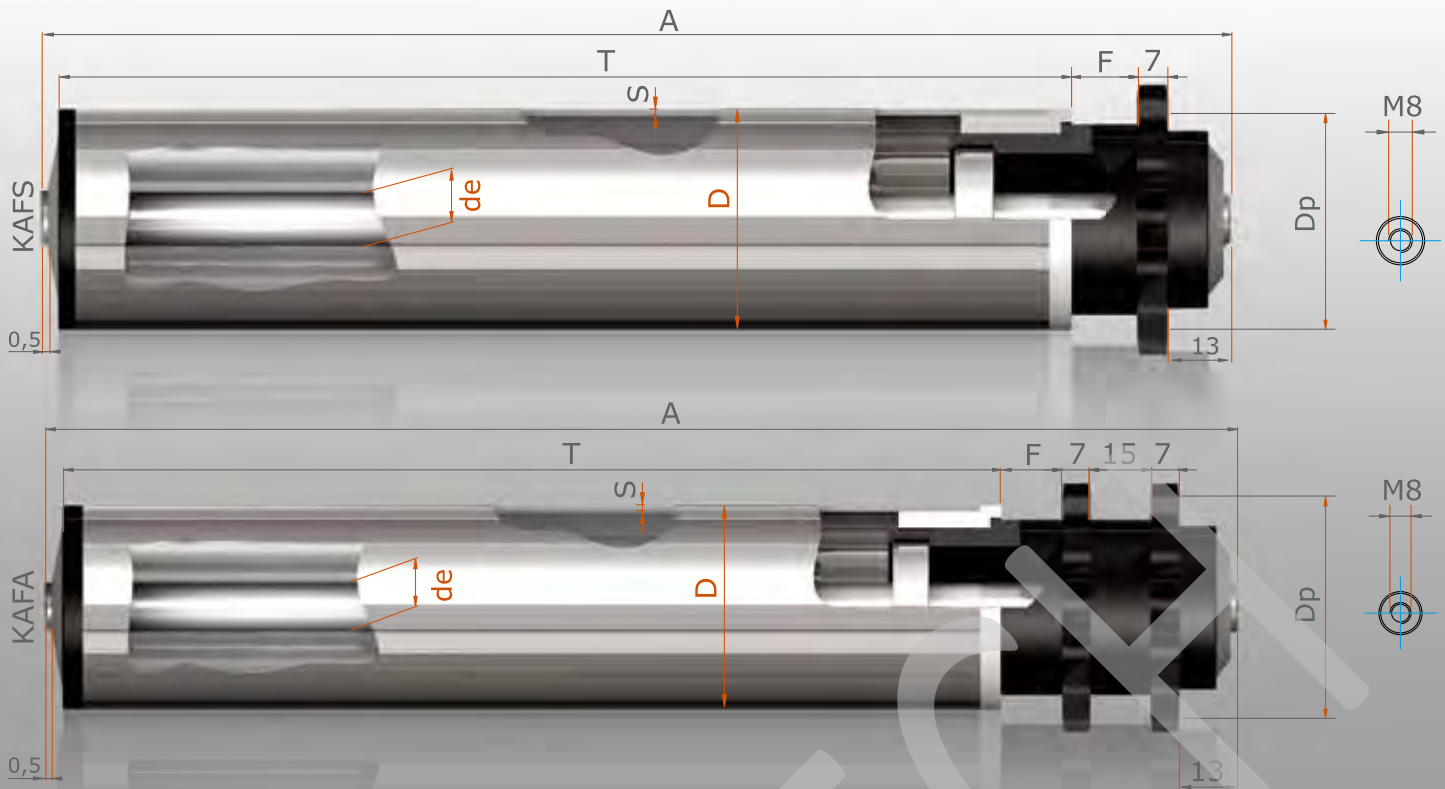


KPF FRICTION PVC ROLLERS

| CODE | D | S | de | A | P" | F | Z | Dp | T | WEIGHT L =200 | BY CM |
|------------|----|-----|----|--------|------|------|----|-------|--------|---------------|-------|
| KP50FS1211 | 50 | 2,8 | 12 | T+34,5 | 1/2" | 11,5 | 11 | 45,08 | A-34,5 | 0,447 | 0,015 |
| KP50FS1214 | | | | T+38 | | | | | A-38 | 0,571 | 0,018 |
| KP63FS1214 | 63 | 3 | 14 | T+53 | 1/2" | 15 | 14 | 57,07 | A-60 | 0,632 | 0,021 |
| KP50FS1214 | 50 | 2,8 | | T+38 | | | | | | 0,625 | 0,018 |
| KP50FA1214 | 63 | 3 | | T+53 | | | | | | 0,712 | 0,021 |

PRODUCT DESCRIPTION

Rollers with a polyamide tube of special construction mounted on PVC heads, with rigid radial bearings, prelubricated and protected. A pinion with one/two polymer ring gears is mounted by slotting at the end of the tube. They are indicated for conveyors with light loads.

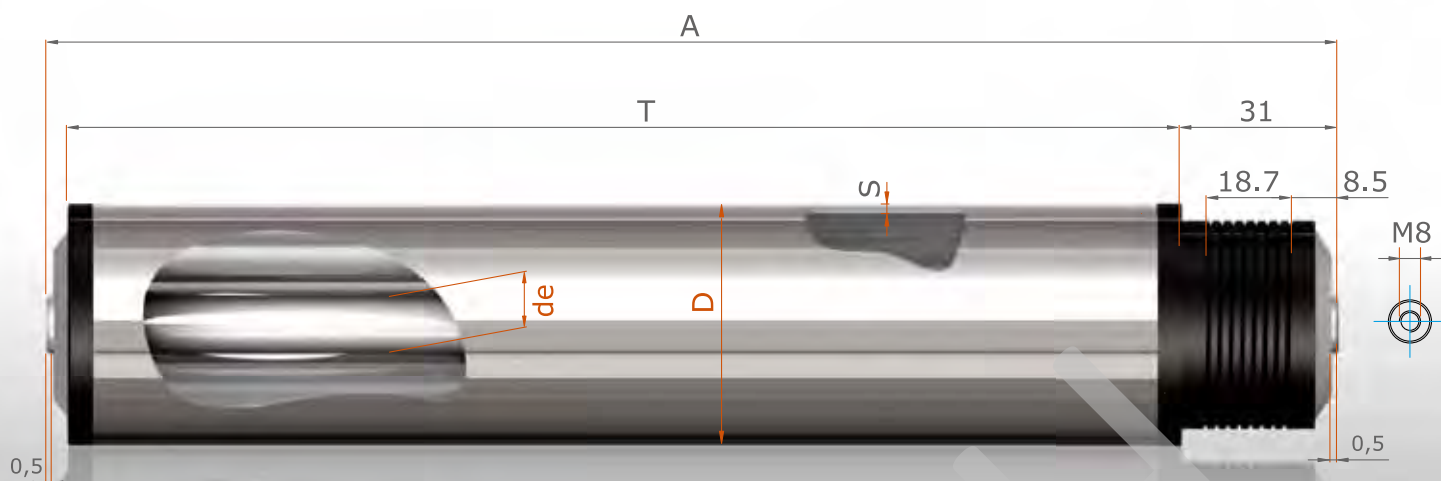


KAF FRICTION PVC ROLLERS

| CODE | D | S | de | A | P" | F | Z | Dp | T | WEIGHT L =200 | BY CM |
|------------|----|-----|------|--------|-------|-------|-------|-------|--------|---------------|-------|
| KA50FS1211 | 50 | 1,5 | 12 | T+34,5 | 1/2" | 11,5 | 11 | 45,08 | A-34,5 | 0,656 | 0,027 |
| KA50FS1214 | | | T+38 | 15 | | 14 | 57,07 | A-38 | 0,779 | 0,030 | |
| KA60FS1214 | 60 | | 14 | | | | | T+53 | A-60 | 0,848 | 0,034 |
| KA50FA1214 | 50 | | T+53 | A-60 | 0,795 | 0,030 | | | | | |
| KA60FA1214 | 60 | | A-60 | 0,864 | 0,034 | | | | | | |

PRODUCT DESCRIPTION

Rollers with a steel tube mounted on PVC heads, with rigid radial bearings, prelubricated and protected.
 A pinion with one/two polymer ring gears is mounted by slotting at the end of the tube.
 They are indicated for conveyors with light loads.



POLY-V DRIVEN PVC ROLLERS

| CODE | D | S | de | A | P" | N° | T | A MIN | A MAX | WEIGHT L =200 | BY CM |
|-------|----|-----|----|------|------|----|------|-------|-------|---------------|-------|
| KAPVM | 50 | 1,5 | 12 | T+34 | 2,34 | 9 | A-34 | 150 | 1200 | 0,448 | 0,015 |

PRODUCT DESCRIPTION

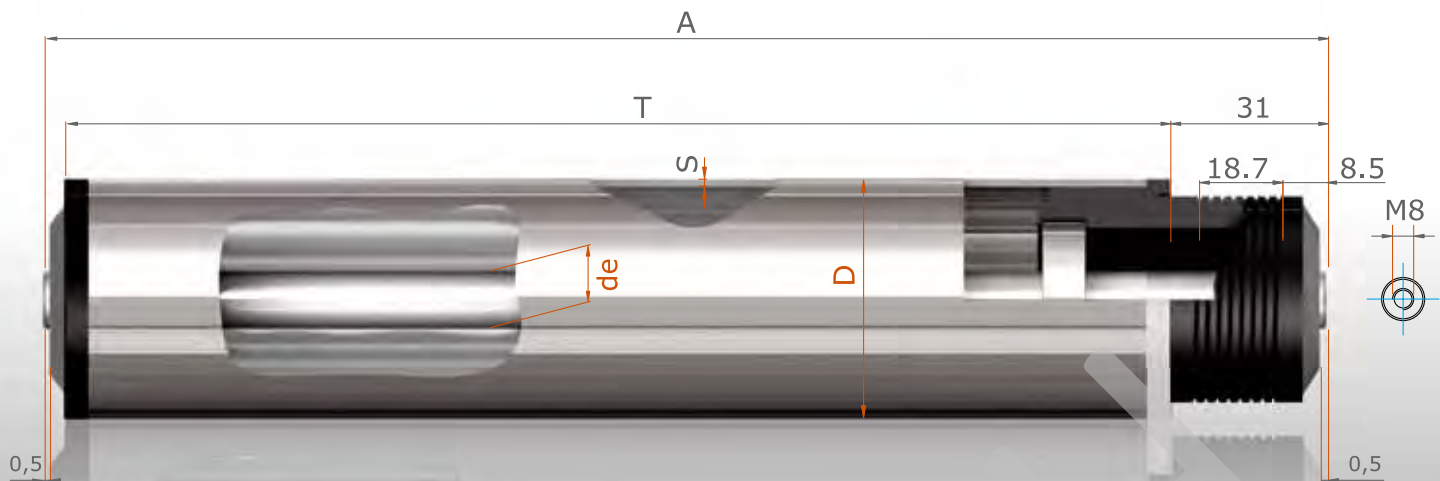
Rollers with a steel tube mounted on PVC heads, with rigid radial bearings, prelubricated and protected.

A pulley with nine polymer races is mounted by slotting at the end of the tube.

Transmission is provided by polyvinyl belts.

Built with an antistatic device on request.

They are indicated for conveyors with light loads.



POLY-V FRICTION PVC ROLLERS

| CODE | D | S | de | A | P'' | N° | T | A MIN | A MAX | WEIGHT L =200 | BY CM |
|-------|----|-----|----|------|------|----|------|-------|-------|---------------|-------|
| KAPVF | 50 | 1,5 | 12 | T+34 | 2,34 | 9 | A-34 | 150 | 1200 | 0,448 | 0,015 |

PRODUCT DESCRIPTION

Rollers with a steel tube mounted on PVC heads, with rigid radial bearings, prelubricated and protected.
 A pulley (with 9 polymer races) with clutch is mounted at the end of the tube.
 Transmission is provided by polyvinyl belts.
 Built with an antistatic device on request.
 They are used in conveyors for light loads where the temporary accumulation of packs is required.