

ROLLERS WITH IMPACT RINGS

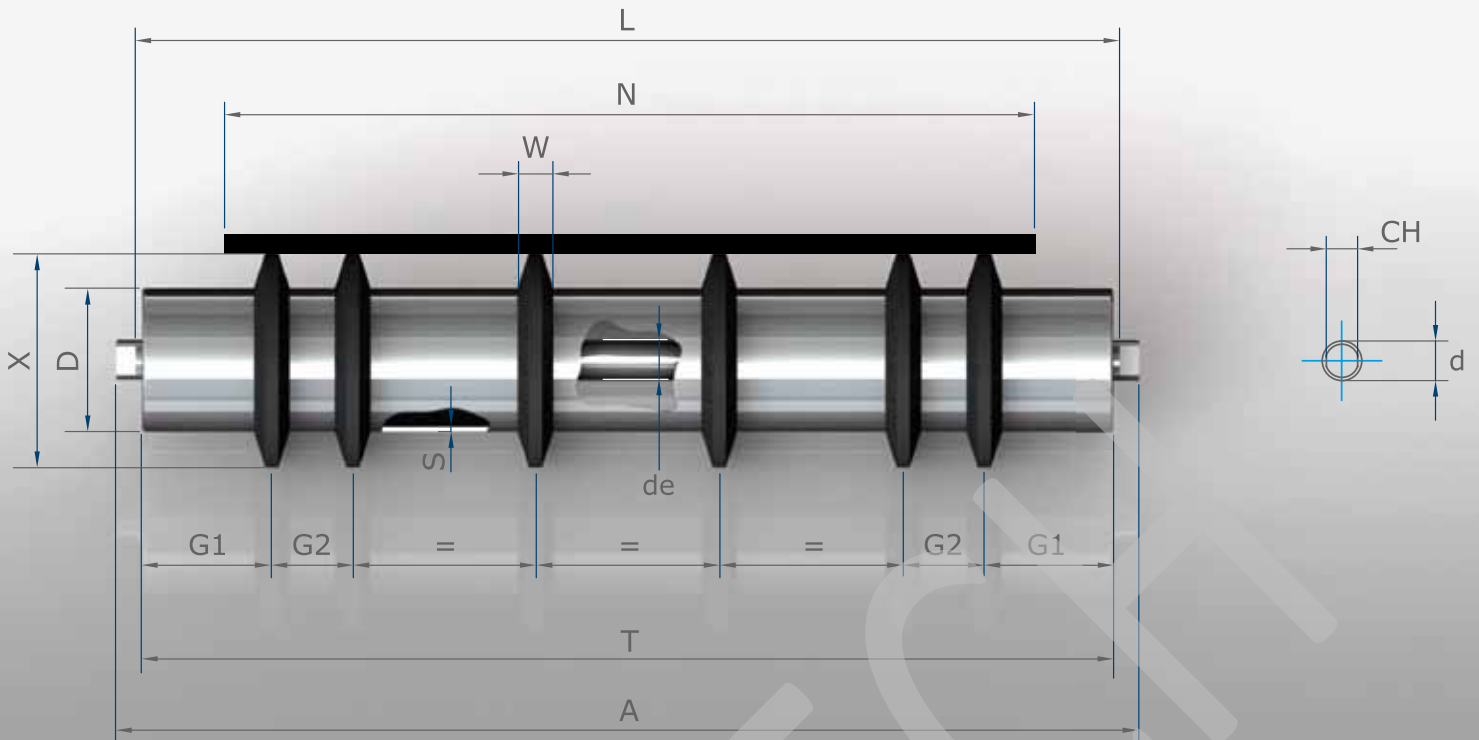
CODE	D	X	S	L	T	A	W	de	d	CH	WEIGHT L 200	RING WEIGHT
PG3310	60	89	3	T+8	L-8	L+18	30	15	20	17	A10	0,10
PG3311		102									A11	0,17
PG3312		108									A12	0,20
PG4310		89						14/17		A10	0,10	
PG4311		102								A11	0,17	
PG4312		108								A12	0,20	
PG4613	89	133	3	T+8	L-8	L+24	45	25	25	17/18	A13	0,22
PG4614		159									A14	0,48
PG5613		133									A13	0,22
PG5614		159					A14			0,48		
PG6613		133					22			A13	0,22	
PG6614		159								A14	0,48	

* The dimensions in the table refer to a type "A" form of coupling.

PRODUCT DESCRIPTION

The impact rollers are composed of a base roller on which a set of anti-abrasion rubber rings are mounted.

They are used for deadening the impacts generated by the fall of the material so as to prevent damage to the belt.



ROLLERS WITH SPACED RINGS - Type 1

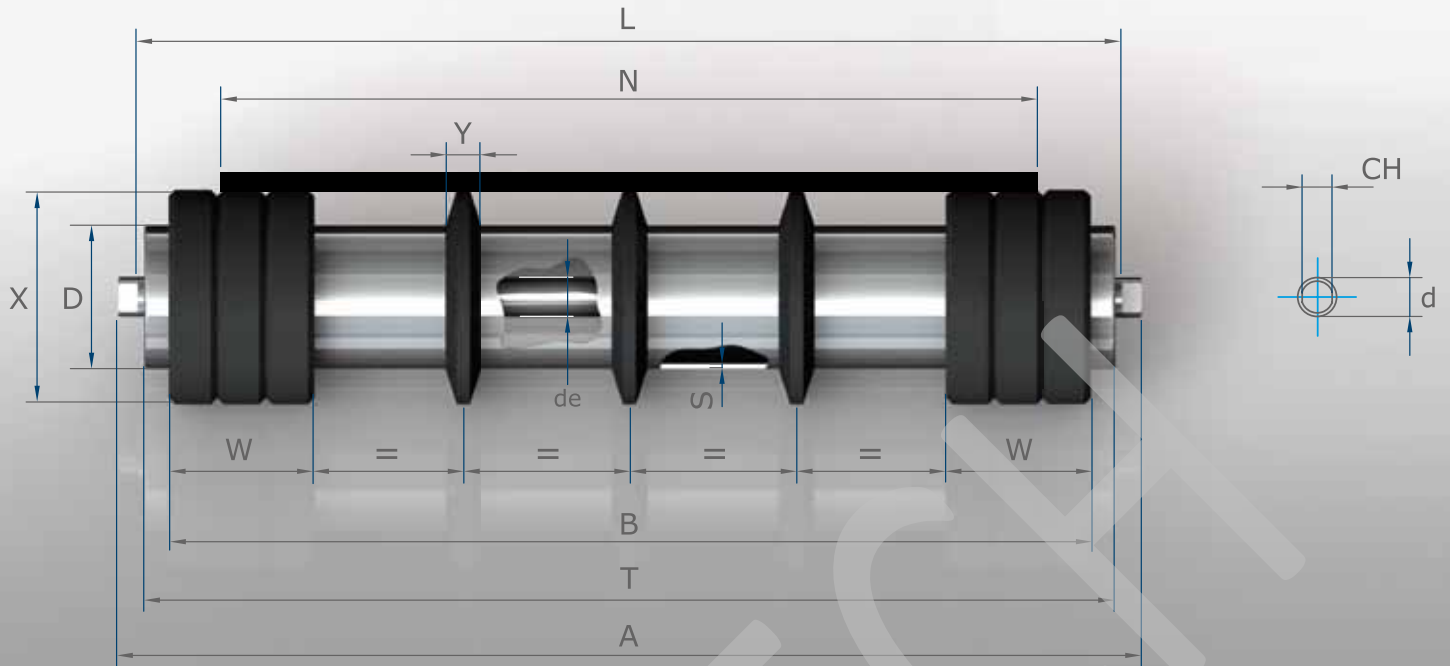
CODE	D	X	S	L	T	A	W	de	G1	G2	CH	d	RING TYPE	RING WEIGHT
PG3320	60	108	3	T+8	L-8	L+18	22	15	100	50	17	20	D20	0,12
PG3321		133					30							
PG3622	89	133					22	D22					0,21	
PG4320	60	108					20	14/17					D20	0,12
PG4321		133				25	D21				0,26			
PG4622	89	133				L+24		17/18					25	D22
PG5622			22	30										
PG6622			22	30										

N	400	450	500	600	650	700	800	900	1000	1200	1400
L	508	558	608	708	758	808	958	1058	1158	1408	1608
RUBBER N°	5		6			7		9		10	11

* The dimensions in the table refer to a type "A" form of coupling.

PRODUCT DESCRIPTION

These consist of a base roller and anti-stick rings. They are used for supporting the returning belt when this conveys sticky materials and for preventing the formation of incrustation that prevents regular belt travel.



ROLLERS WITH SPACED RINGS - Type 2

CODE	D	X	S	L	T	A	de	W	Y	CH	d	RING TYPE	RING WEIGHT
PG33AD	60	108	3	T+8	L-8	L+18	15	90	22	17	20	D20/A12	0,12/0,20
PG43AD							20			14/17			
PG36AD	89	133				L+24	15			17		D22/A13	0,21/0,22
PG46AD							20			14/17			
PG56AD						25	17/18			25			
PG66AD						30	22						

N	400	450	500	600	650	700	800	900	1000	1200	1400
L	508	558	608	708	758	808	958	1058	1158	1408	1608
B	470	520	570	670	730	780	895	1000	1100	1310	1495
CENTRAL RING N°	2	2	3	4	4	4	4	4	6	7	8
N° ANELLI LATERALI SIDE RING N°	6	6	6	6	6	6	8	8	8	8	8

* The dimensions in the table refer to a type "A" form of coupling.

PRODUCT DESCRIPTION

These consist of a base roller and anti-stick rings. They are used for supporting the returning belt when this conveys sticky materials and for preventing the formation of incrustation that prevents regular belt travel.