

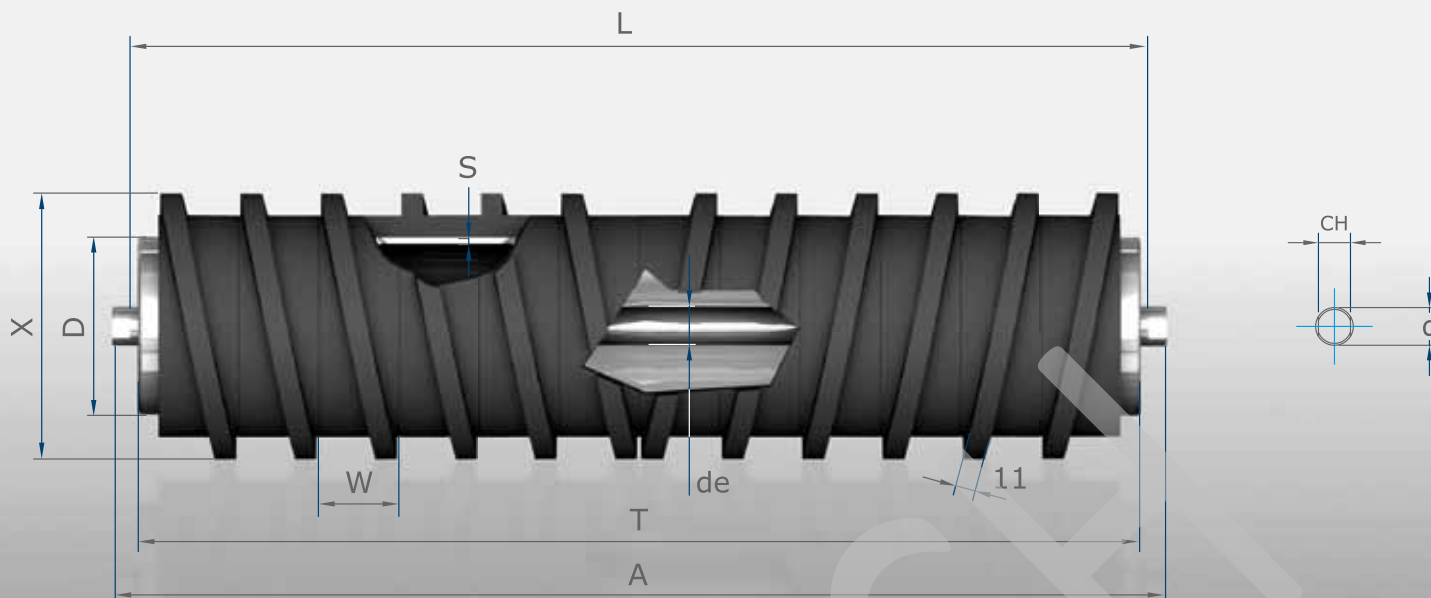
WITH STEEL SPIRAL

CODE	D	S	L	T	A	CH	d	de	X	SPIRAL WEIGHT BY CM
P3330	60	3	T+8	L-8	L+18	17	20	15	76	0,010
P3431	76								92	0,013
P3632	89					105		0,016		
P4330	60					76		0,010		
P4431	76				14/17	20	92	0,013		
P4632	89				L+24	17/18	25	25	105	0,016
P5632						22	30	30		
P6632										

* The dimensions in the table refer to a type "A" form of coupling.

PRODUCT DESCRIPTION

The cleaner rollers with steel spiral are composed of a base roller welded on which are two steel spirals that depart from the centre with a left-hand and right-hand screws. Their function is to expel the material at the sides of the belt.

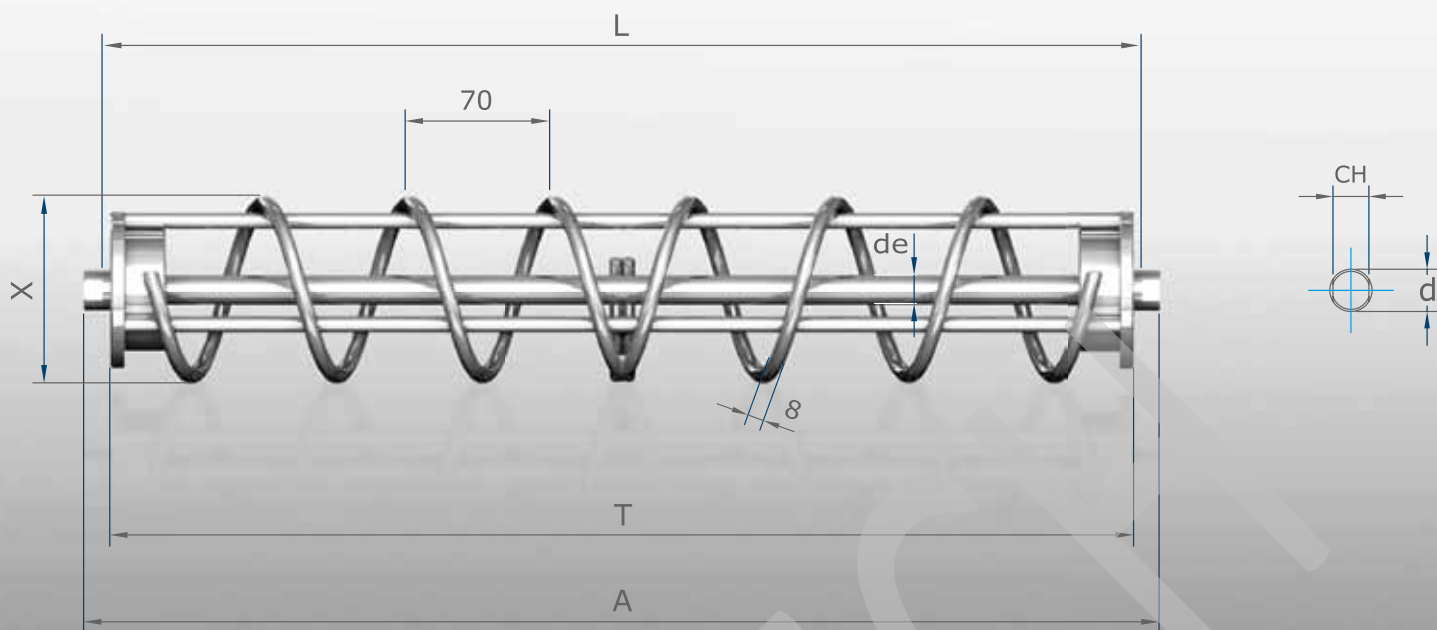

WITH HELICAL RUBBER RINGS

CODE	D	S	L	T	A	X	W	de	CH	d	RING WEIGHT		
PG3340	60	3	T+8	L-8	L+18	108	40	15	17	20	0,17		
PG4340								20	14/17				
PG4641	89									25	17/18	25	0,19
PG5641	89							L+24	133				
PG6641	89									30	22	30	

* The dimensions in the table refer to a type "A" form of coupling.

PRODUCT DESCRIPTION

These consist of a base roller and helical anti-abrasion rubber rings. Their function is to expel the material at the sides of the belt.



WITH SPIRAL ON CAGE

CODE	L	T	A	X	de	CH	d	WEIGHT L 200	BY CM
PST3450	T+8	L-8	L+18	92	15	17	20	4,21	0,052
PST4650				105	20	14/17		5,43	0,066

* The dimensions in the table refer to a type "A" form of coupling.

PRODUCT DESCRIPTION

The steel cleaner rollers are composed of two stout bearing heads, joined together using three shafts at 120°, welded on which are two steel spirals with a right-hand and a left-hand screw. They are used in conveyors of sticky materials as their form also allows the material to drop through the roller.