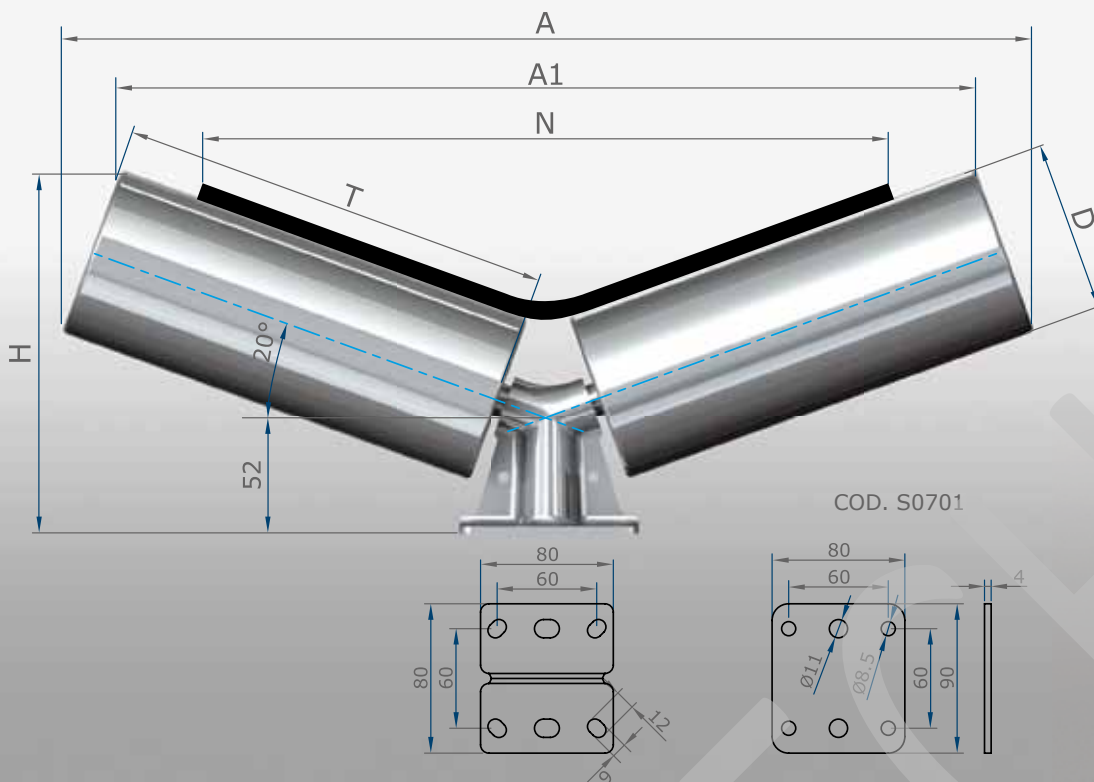


2-ROLLER PROJECTING UNITS							
CODE	H	A	A1	D	T	WEIGHT KG	N
C2330	155	430	390	60	190	2,40	300
C2340	173	520	480		240	2,90	400
C2345	183	586	550		275	3,25	450
C2350	191	630	595		300	3,50	500
C2360	215	730	695		350	4,00	600
C2430	165	440	385	76	190	3,10	300
C2440	180	530	480		240	3,70	400
C2445	195	580	545		275	4,10	450
C2450	200	648	593		300	4,40	500
C2460	217	744	690		350	4,95	600

**PRODUCT DESCRIPTION**

Projecting pairs formed by two rollers (series P200) that are hermetically closed at the ends. They are mounted on a single shaft to give a robust structure and reduced distance between the rollers so as to make it possible to use very flexible belts. The table lists the dimensions of pairs for the various belt widths.

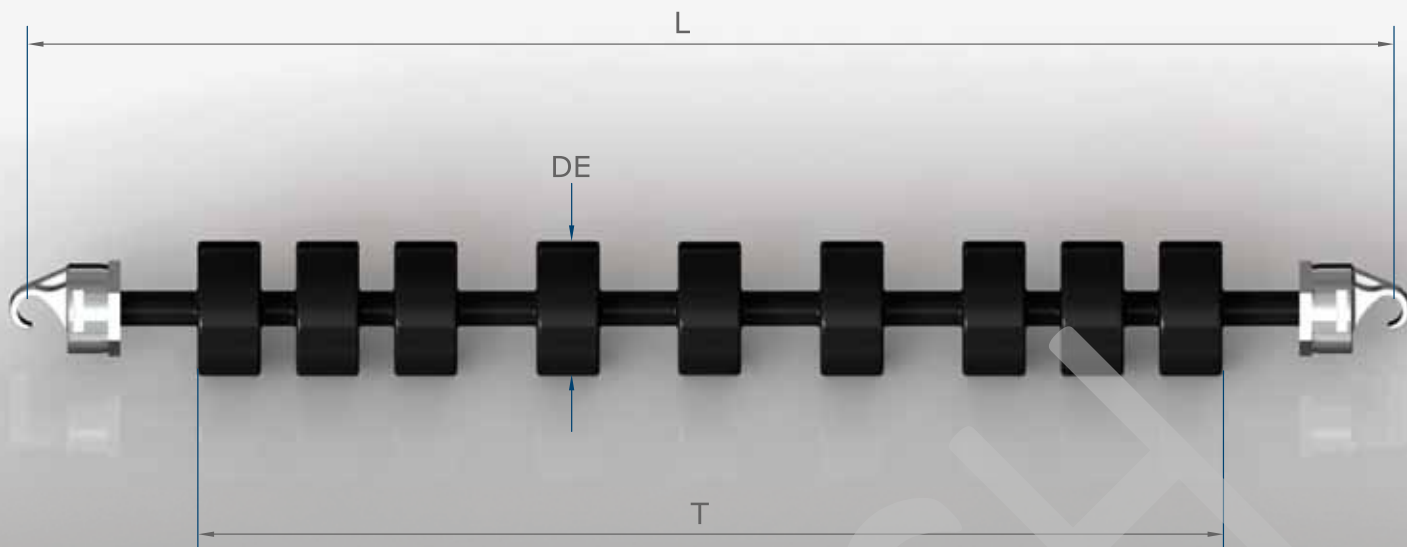


## 2-ROLLER PROJECTING UNITS

CODE	H	A	A1	D	T	WEIGHT KG	N
C3330	155	430	390	60	190	2,95	300
C3340	173	520	480		240	3,50	400
C3345	183	586	550		275	3,95	450
C3350	191	630	595		300	4,25	500
C3360	215	730	695		350	4,85	600
C3430	165	440	385		76	190	3,72
C3440	180	530	480	240		4,45	400
C3445	195	580	545	275		4,92	450
C3450	200	648	593	300		5,25	500
C3460	217	744	690	350		5,95	600
C3640	190	526	475	89		240	5,22
C3645	203	590	540		275	5,85	450
C3650	208	640	590		300	6,30	500
C3660	223	736	685		350	7,20	600

## PRODUCT DESCRIPTION

Projecting pairs formed by two rollers (series P300) that are hermetically closed at the ends. They are mounted on a single shaft to give a robust structure and reduced distance between the rollers so as to make it possible to use very flexible belts. The table lists the dimensions of pairs for the various belt widths.



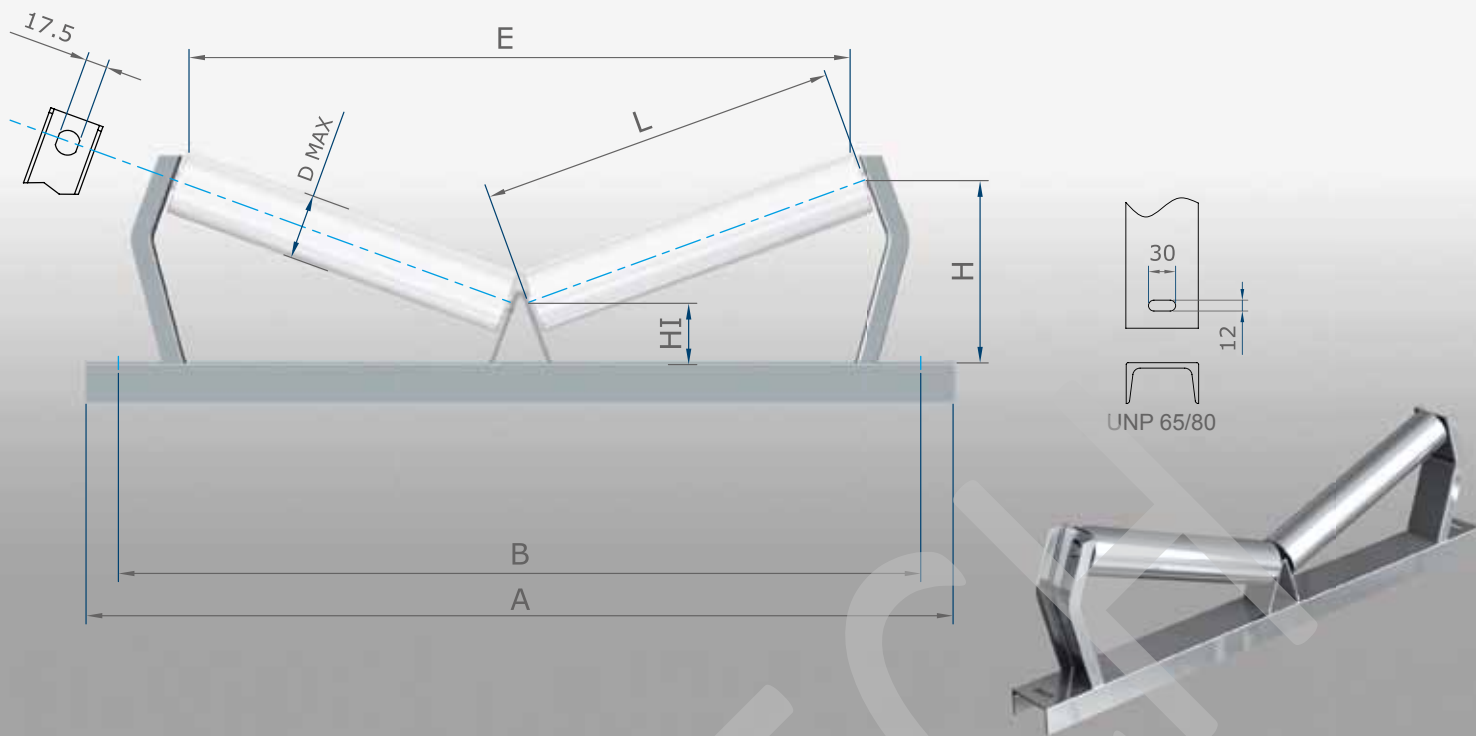
## FLEXIBLE ROLLERS

CODE	DE	L	T	RINGS	BELT	WEIGHT
GRFN500	76	772	584	9	500	4,00
GRFN650		928	738	11	650	4,50
GRFN800		1082	892	13	800	5,10
GRFN1000	92	1370	1140	17	1000	10,00
GRFN1200		1520	1298	19	1200	11,00
GRFN1400		1800	1540	23	1400	11,80

## PRODUCT DESCRIPTION

The flexible rollers are composed of a metal core made of steel rope keyed on which are two cast iron fixing hooks where the bearings are housed.

The steel rope is then vulcanized with neoprene rubber with the various discs.



20° WITH CENTRE SUPPORTS HH 50 UNP 65x42

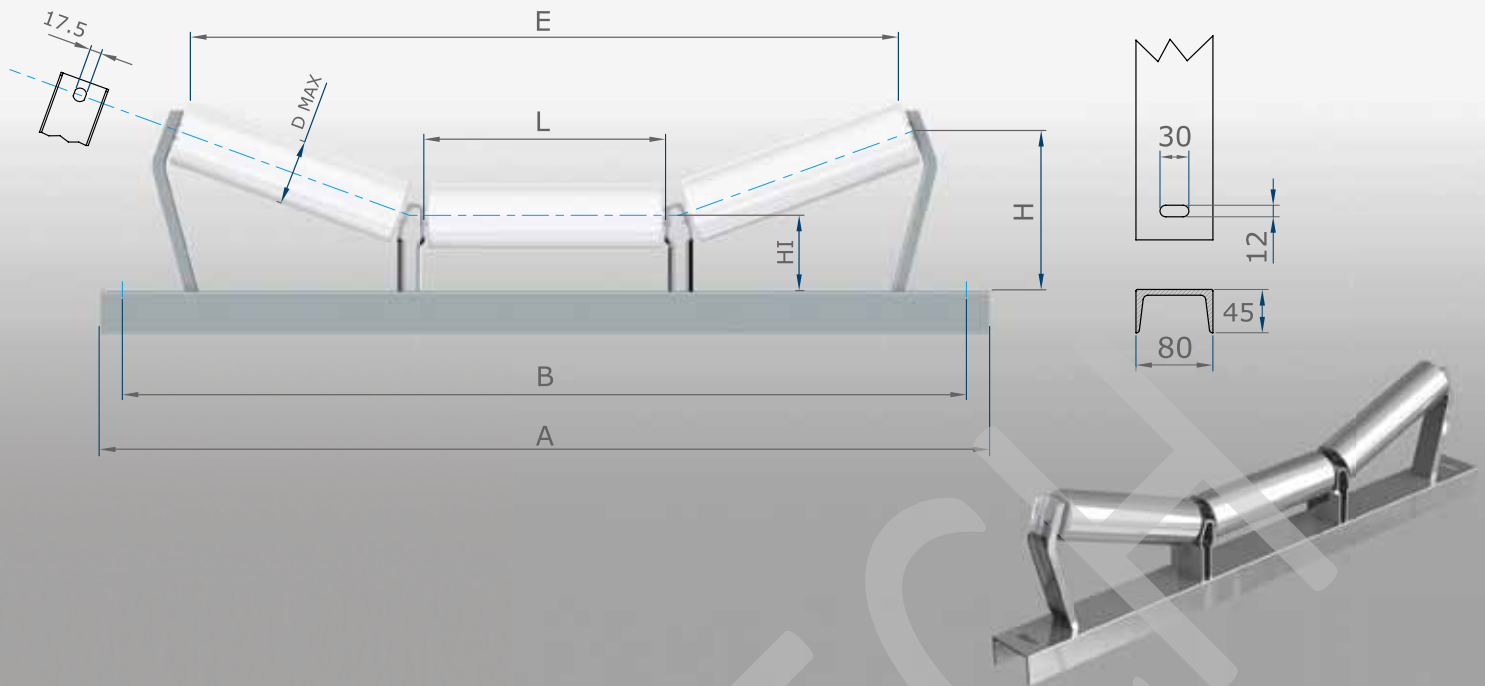
CODE	H	HI	A	B	E	L	D MAX	WEIGHT KG	BELT
SC0240	145	50	670	620	515	258	76	6,043	400
SC0245	150		740	690	560	283		6,616	450
SC0250	165		790	740	605	308		7,071	500
SC0260	182		890	840	705	358		7,927	600
SC0265	188		940	890	750	388		8,348	650
SC0270	198		990	940	795	408		8,781	700

20° WITH CENTRE SUPPORTS H H 62 UNP 80x45

CODE	H	HI	A	B	E	L	D MAX	WEIGHT KG	BELT
SC1250	178	62	790	740	605	308	108	7,173	500
SC1260	195		890	840	705	358		8,031	600
SC1265	201		940	890	750	388		8,456	650
SC1270	210		990	940	795	408		8,881	700

### PRODUCT DESCRIPTION

Carrying troughing pair sets for small and medium-scale belts.  
The tables indicated above list our standard dimensions.



### 20° WITH H 80 CENTRAL SUPPORTS

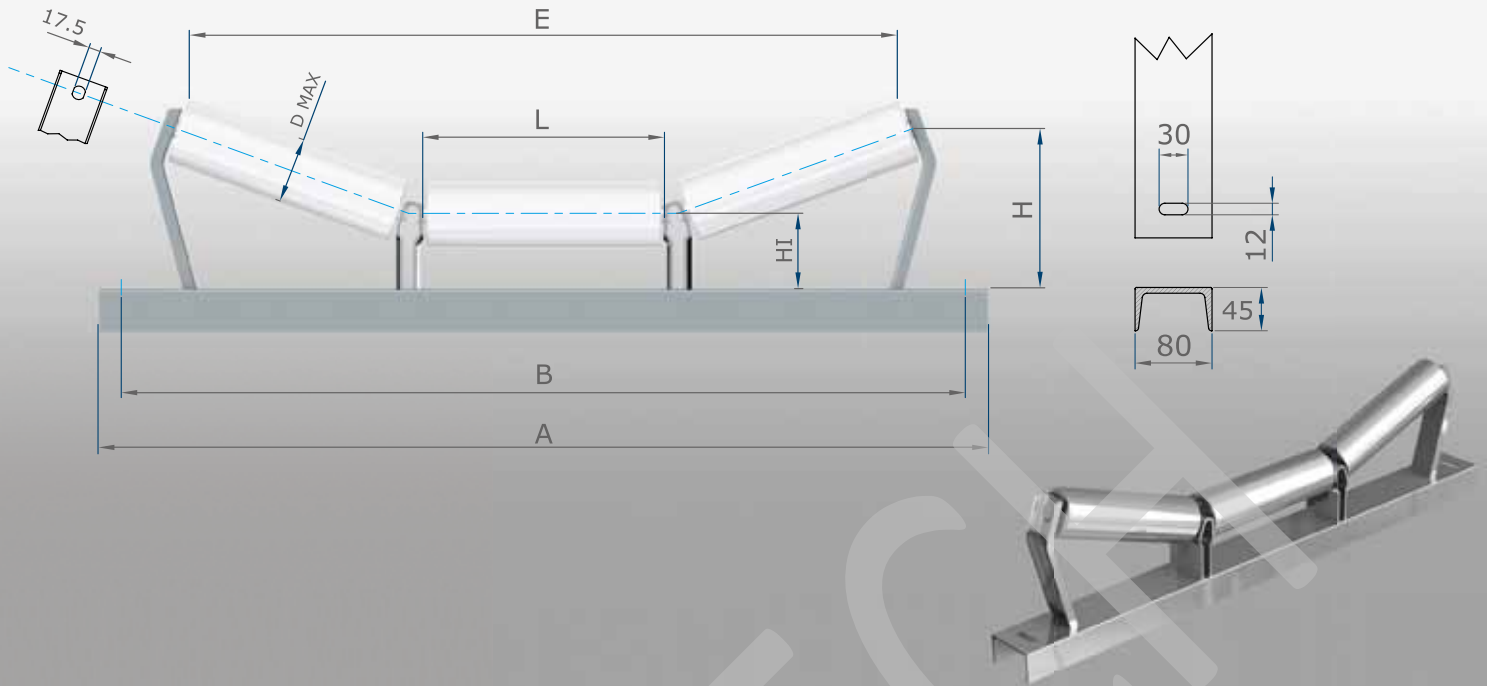
CODE	H	HI	A	B	E	L	D MAX	WEIGHT KG	BELT
ST02050	150	80	800	740	652	208	108	9,018	500
ST02060	160		900	840	740	238		9,961	600
ST02065	168		950	890	800	258		10,533	650
ST02070	185		1000	940	940	308		11,020	700
ST02080	191		1150	1090	980	323		12,365	800
ST02090	201		1250	1190	1090	358		13,308	900
ST02100	211		1350	1290	1170	388		14,249	1000
ST02120	241		1600	1540	1420	473		16,634	1200
ST02140	270		1800	1740	1610	538		18,578	1400

### 20° WITH H 100 CENTRAL SUPPORTS

CODE	H	HI	A	B	E	L	D MAX	WEIGHT KG	BELT
ST12060	188	100	900	840	745	238	133	10,381	600
ST12065	195		950	890	805	258		10,867	650
ST12070	211		1000	940	945	308		11,424	700
ST12080	217		1150	1090	984	323		12,767	800
ST12090	230		1250	1190	1095	358		13,726	900
ST12100	241		1350	1290	1174	388		14,671	1000
ST12120	270		1600	1540	1424	473		17,048	1200
ST12140	290		1800	1740	1614	538		18,940	1400

### PRODUCT DESCRIPTION

Carrying troughing triple sets for medium and large-scale belts.  
The tables indicated above list our standard dimensions.



**30° WITH H 80 CENTRAL SUPPORTS**

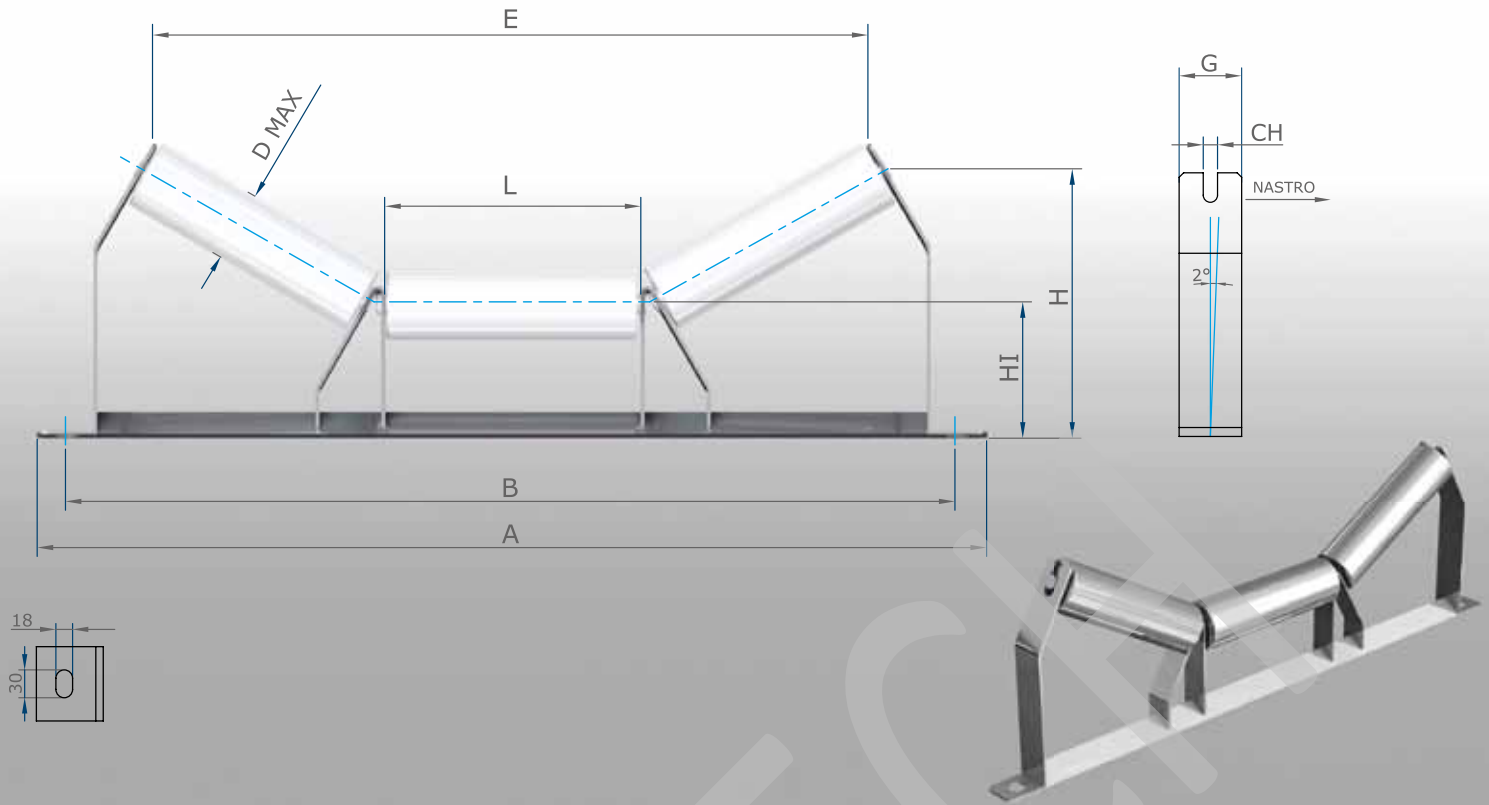
CODE	H	HI	A	B	E	L	D MAX	WEIGHT KG	BELT
ST03050	187	80	800	740	626	208	108	9,306	500
ST03060	202		900	840	693	238		10,289	600
ST03065	211		950	890	761	258		10,791	650
ST03070	235		1000	940	898	308		11,400	700
ST03080	243		1150	1090	939	323		12,757	800
ST03090	260		1250	1190	1046	358		13,748	900
ST03100	275		1350	1290	1116	388		14,729	1000
ST03120	320		1600	1540	1349	473		17,200	1200
ST03140	350		1800	1740	1526	538		19,124	1400

**30° WITH H 100 CENTRAL SUPPORTS**

CODE	H	HI	A	B	E	L	D MAX	WEIGHT KG	BELT
ST13060	229	100	900	840	725	238	133	10,689	600
ST13065	240		950	890	778	258		11,203	650
ST13070	265		1000	940	915	308		11,824	700
ST13080	272		1150	1090	956	323		13,177	800
ST13090	290		1250	1190	1062	358		14,182	900
ST13100	305		1350	1290	1133	388		15,141	1000
ST13120	346		1600	1540	1366	473		17,570	1200
ST13140	380		1800	1740	1543	538		19,510	1400

**PRODUCT DESCRIPTION**

Carrying troughing triple sets with three rollers for medium and large-scale belts. The tables list our standard dimensions.

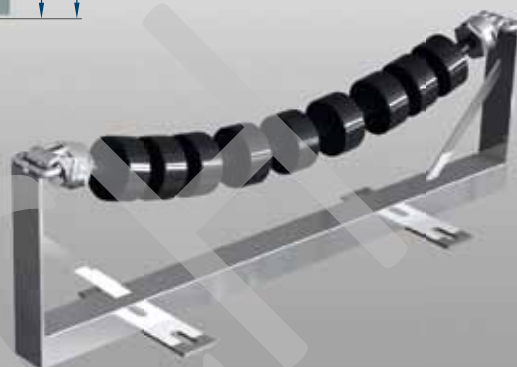
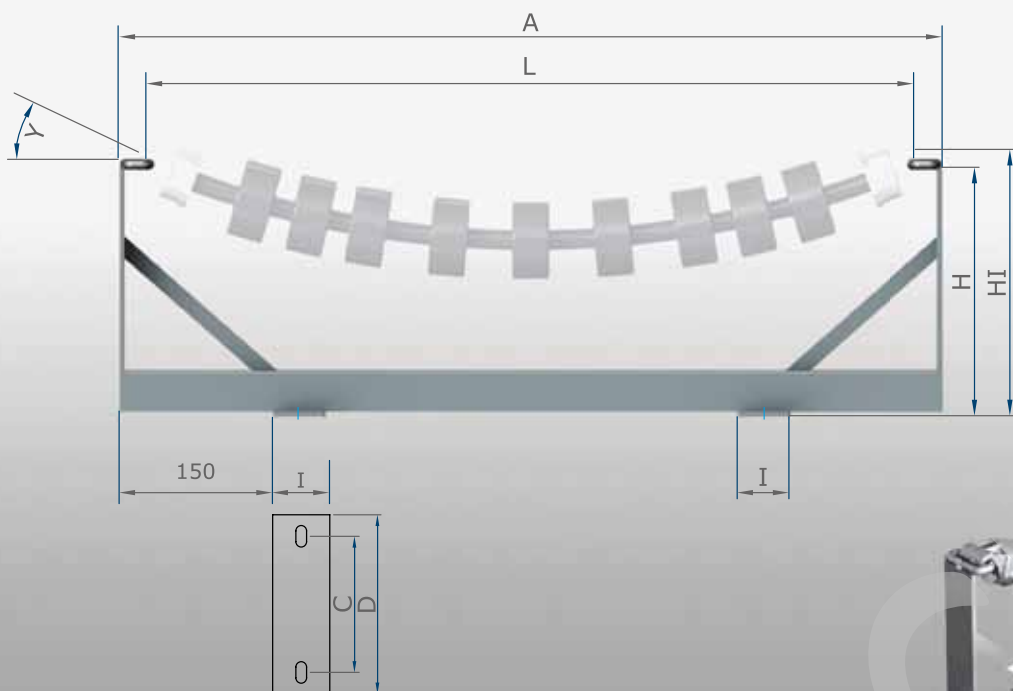


## 30° ANGULAR

CODE	H	HI	A	B	E	L	G	CH	D MAX	WEIGHT KG	BELT
STA03050	245	133	800	740	578	208	70	14-17 18-22	108	7,150	500
STA03065	270		950	890	715	258				8,020	650
STA03080	309		1150	1090	893	323				10,830	800
STA03100	341	140	1350	1290	1070	388	12,410			1000	
STA03120	384		1600	1540	1300	473	14,050			1200	
STA03140	430		1800	1740	1480	538	25,610			1400	
STA13080	329	160	1150	1090	893	323	80		133	11,230	800
STA13100	361		1350	1290	1070	388				12,720	1000
STA13120	404		1600	1540	1300	473				14,530	1200
STA13140	450	174	1800	1740	1480	538			100	26,120	1400

## PRODUCT DESCRIPTION

Angular carrying troughing triple set for medium and large belts.  
The tables show our standard sizes.



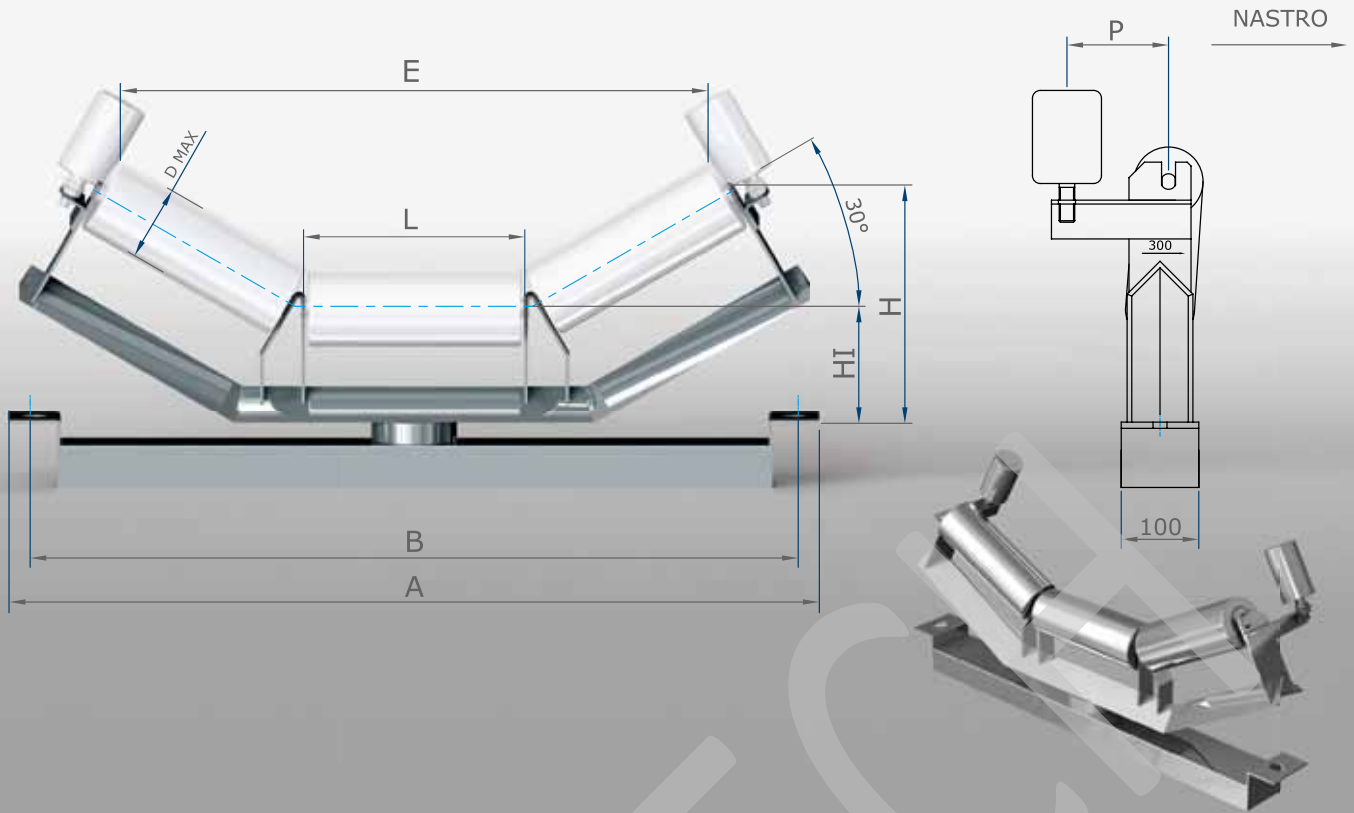
TROUGHING SET FOR FLEXIBLE ROLLERS

CODE	H	H1	A	L	I	C	D	Y	WEIGHT KG	BELT
SGFN2050	246	261	804	738	50	140	200	20	12,68	500
SGFN2065	248	263	954	888					14,15	650
SGFN2080	250	265	1106	1040					15,77	800
SGFN20100	310	327	1390	1324	80	190	250		21,05	1000
SGFN20120	353	371	1543	1477					23,26	1200
SGFN3050	296	311	774	708	50	140	200	30	13,04	500
SGFN3065	298	313	921	855					14,52	650
SGFN3080	301	316	1068	1002					16,11	800
SGFN30100	375	393	1343	1277	80	190	250		21,49	1000
SGFN30120	426	444	1493	1427					23,73	1200
SGFN4580	375	391	985	920	50	140	200	45	16,32	800
SGFN45100	469	486	1283	1170	80	190	250		22,15	1000
SGFN45120	527	545	1380	1315					24,02	1200

**PRODUCT DESCRIPTION**

Carrying troughing sets with flexible rollers.  
The tables list our standard dimensions.



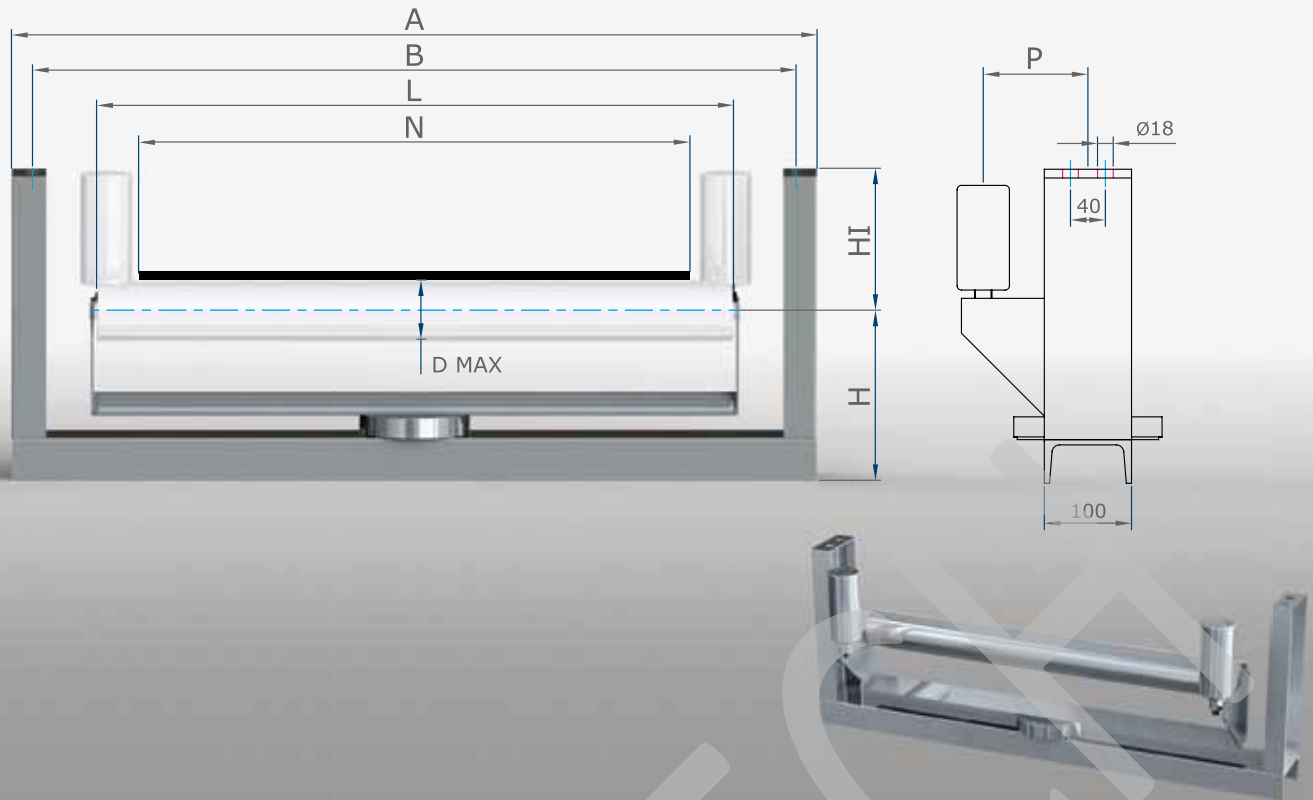


30° ANGLE BAR SELF-CENTRING ELEMENTS

CODE	H	HI	A	B	E	L	D MAX	P	WEIGHT KG	BELT
STAC03065	270	133	950	890	715	258	108	130	23,560	650
STAC03080	309	140	1150	1090	892	323			27,330	800
STAC03100	341		1350	1290	1070	388			31,590	1000
STAC03120	384		1600	1540	1300	473			35,620	1200
STAC03140	430		1800	1740	1480	538			46,720	1400
STAC03160	466	2000	1940	1672	608	57,820			1600	
STAC13080	329	160	1150	1090	892	323	133	130	28,080	800
STAC13100	361		1350	1290	1070	388			32,340	1000
STAC13120	404		1600	1540	1300	473			36,370	1200
STAC13140	450	1800	1740	1480	538	47,470			1400	
STAC13160	486	2000	1940	1670	608	58,570			1600	

**PRODUCT DESCRIPTION**

Self-centring troughing triple set are for limiting the displacement of the belt. They are mounted at distances that range from 12 to 25 metres. They are composed of two cross-members, a fixed one anchored to the belt frame and a mobile one mounted on a ball-bearing fifth wheel that permits rotation of about 5°.



**FLAT SELF-CENTERING**

CODE	H	HI	A	B	L	D MAX	P	WEIGHT KG	N
STRP065	197	163	950	890	758	133	120	23,328	650
STRP080			1150	1090	958			26,532	800
STRP0100			1350	1290	1158			34,736	1000
STRP0120		183	1600	1540	1408			38,741	1200
STRP0140			1800	1740	1608			51,844	1400
STRP0160			2000	1940	1808			63,157	1600

**PRODUCT DESCRIPTION**

Self-centring return troughing sets are for limiting the displacement of the belt. They are mounted at distances that range from 15 to 30 metres. They are composed of two cross-members, a fixed one anchored to the belt frame and a mobile one mounted on a ball-bearing fifth wheel that permits rotation of about 5°.