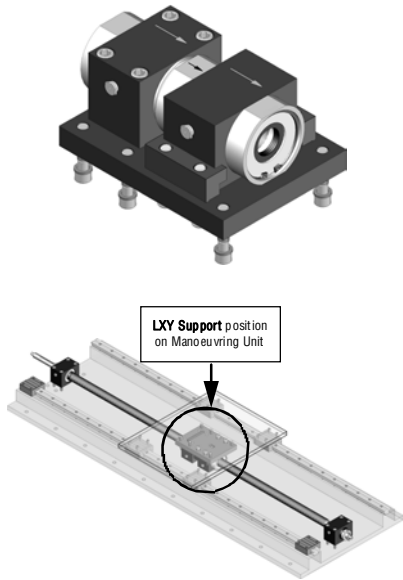


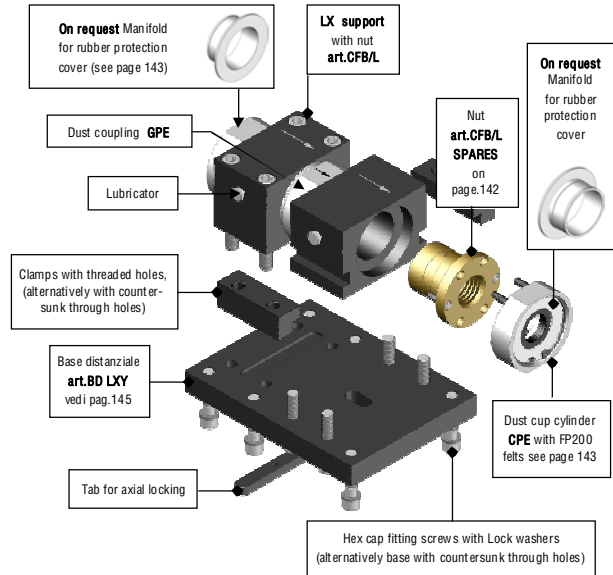
art.LXY

ADJUSTABLE MOBILE SUPPORTS mod.10/60 in nitrided steel, with dust felts and bronze flange nut CFB/L, and accessories.
(article includes Supports Base **BD LXY**)

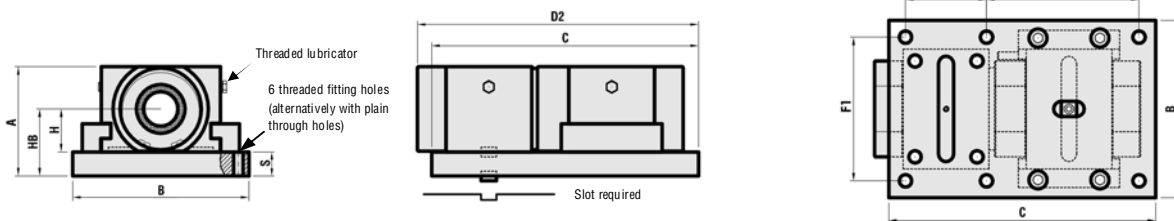
LXY supports assembled with Supports Base



LXY support - exploded diagram



- > An aluminium plate, to fit to the machine for permanent reference, showing how to adjust the axial play is supplied with the **LXY supports**.
- > Complete diagrams showing how to fit to the machine are on pages 159 and 161.



> **D2 = Nett size with Dust Cups, excluding Manifolds for covers** - Support with right threaded nut available from stock.

> **Approximate weight with accessories, fitting bolts and Supports Base BD LXY**

NUT CFB/L	CODE Dx	ARTICLE Dx	CODE Sx	ARTICLE Sx	A	B	C BD LXY	D2	S	H	HB	F1	F2	F5	Hex screws for fitting	Slot required for fitting	Lubricator thread	WEIGHT Kg
TR 10x2	301SM1102R	LXY TR 10x2 R	301SM1102L	LXY TR 10x2 L	46	85	120	129	12	17,5	29,5	69	34	70	M6	Ø5x42x3	M6x1	1,870
TR 10x3	301SM1103R	LXY TR 10x3 R	301SM1103L	LXY TR 10x3 L	46	85	120	129	12	17,5	29,5	69	34	70	M6	Ø5x42x3	M6x1	1,870
TR 12x3	301SM1123R	LXY TR 12x3 R	301SM1123L	LXY TR 12x3 L	51	90	120	130	12	20	32	74	34	70	M6	Ø6x47x3	M6x1	2,160
TR 14x3	301SM1143R	LXY TR 14x3 R	301SM1143L	LXY TR 14x3 L	59	105	140	148	15	22,5	37,5	85	40	80	M8	Ø8x52x3,5	M6x1	3,360
TR 14x4	301SM1144R	LXY TR 14x4 R	301SM1144L	LXY TR 14x4 L	59	105	140	148	15	22,5	37,5	85	40	80	M8	Ø8x52x3,5	M6x1	3,360
TR 16x4	301SM1164R	LXY TR 16x4 R	301SM1164L	LXY TR 16x4 L	64	110	140	150	15	25	40	90	40	80	M8	Ø10x62x4	1/8G	4,050
TR 18x4	301SM1184R	LXY TR 18x4 R	301SM1184L	LXY TR 18x4 L	64	120	150	158	15	25	40	100	50	80	M8	Ø10x62x4	1/8G	4,750
TR 20x4	301SM1204R	LXY TR 20x4 R	301SM1204L	LXY TR 20x4 L	69	120	160	171	15	27,5	42,5	100	50	90	M8	Ø12x72x4	1/8G	5,720
TR 22x5	301SM1225R	LXY TR 22x5 R	301SM1225L	LXY TR 22x5 L	69	120	160	171	15	27,5	42,5	100	50	90	M8	Ø12x72x4	1/8G	5,720
TR 24x5	301SM1245R	LXY TR 24x5 R	301SM1245L	LXY TR 24x5 L	84	150	190	203	20	32,5	52,5	115	50	110	M10	Ø14x82x4,5	1/8G	10,000
TR 25x5	301SM1255R	LXY TR 25x5 R	301SM1255L	LXY TR 25x5 L	84	150	190	203	20	32,5	52,5	115	50	110	M10	Ø14x82x4,5	1/8G	10,000
TR 26x5	301SM1265R	LXY TR 26x5 R	301SM1265L	LXY TR 26x5 L	84	150	190	203	20	32,5	52,5	115	50	110	M10	Ø14x82x4,5	1/8G	10,000
TR 28x5	301SM1285R	LXY TR 28x5 R	301SM1285L	LXY TR 28x5 L	89	150	200	216	20	35	55	120	50	120	M10	Ø14x92x4,5	1/8G	11,620
TR 30x6	301SM1306R	LXY TR 30x6 R	301SM1306L	LXY TR 30x6 L	89	150	200	216	20	35	55	120	50	120	M10	Ø14x92x4,5	1/8G	11,620
TR 32x6	301SM1326R	LXY TR 32x6 R	301SM1326L	LXY TR 32x6 L	89	150	200	216	20	35	55	120	50	120	M10	Ø14x92x4,5	1/8G	11,620
TR 35x6	301SM1356R	LXY TR 35x6 R	301SM1356L	LXY TR 35x6 L	99	160	220	231	20	40	60	130	70	120	M10	Ø14x102x4,5	1/8G	14,970
TR 36x6	301SM1366R	LXY TR 36x6 R	301SM1366L	LXY TR 36x6 L	99	160	220	231	20	40	60	130	70	120	M10	Ø14x102x4,5	1/8G	14,970
TR 40x7	301SM1407R	LXY TR 40x7 R	301SM1407L	LXY TR 40x7 L	109	180	240	254	25	42,5	67,5	145	65	140	M12	Ø16x112x5	1/8G	20,000
TR 45x8	301SM1458R	LXY TR 45x8 R	301SM1458L	LXY TR 45x8 L	114	180	280	296	25	45	70	150	85	160	M12	Ø16x112x5	1/8G	24,800
TR 46x8	301SM1468R	LXY TR 46x8 R	301SM1468L	LXY TR 46x8 L	114	180	280	296	25	45	70	150	85	160	M12	Ø16x112x5	1/8G	24,800
TR 50x8	301SM1508R	LXY TR 50x8 R	301SM1508L	LXY TR 50x8 L	124	200	280	296	25	50	75	155	85	160	M12	Ø16x122x5	1/8G	27,950
TR 55x9	301SM1559R	LXY TR 55x9 R	301SM1559L	LXY TR 55x9 L	139	220	335	351	30	55	85	180	110	185	M14	Ø16x142x5	1/8G	43,640
TR 60x9	301SM1609R	LXY TR 60x9 R	301SM1609L	LXY TR 60x9 L	139	220	335	355	30	55	85	180	110	185	M14	Ø16x142x5	1/8G	43,640

- > As per the diagram, the fitting clamps are supplied with threaded holes but on request they can be supplied with countersunk through holes. For the overall weight of the Group with screw please see the table on page 127.
- > To comply with safety regulations it is obligatory to use the locking tabs, the fitting hardware supplied, and ensuring that the arrows engraved in the supports are all facing in the same direction, which for vertical/oblique movements must be facing downwards.

Photos, diagrams and technical data are the exclusive property of Bimeccanica srl. All rights reserved.