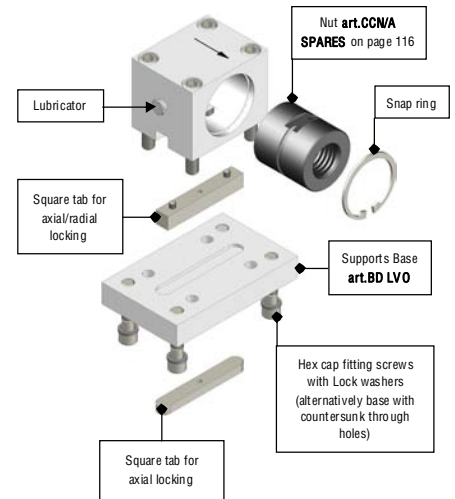
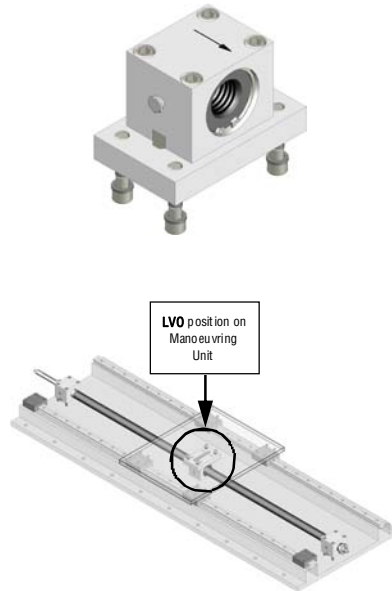


art.LVO

MOBILE SUPPORTS mod.10/40 in anodized aluminium alloy, of reduced dimensions, with nylon cylindrical nut **CCN/A** and accessories.
(article includes Supports Base **BD LVO**)

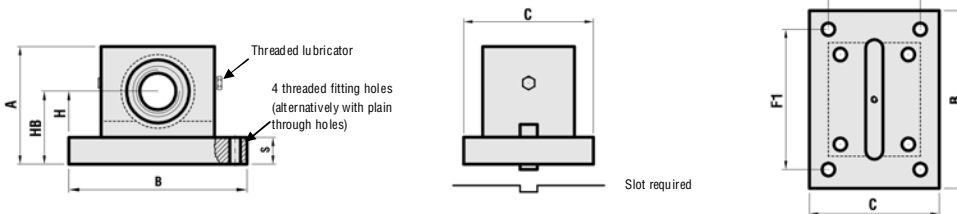
LVO support assembled with Supports Base

LVO support - exploded diagram



> In cases where stain resistance is not required the LVO support is supplied with fitting hardware and components in zinc coated steel.

> Complete diagrams showing how to fit to the machine are on pages 100 and 102.



> **C = Nett size of the base BD LVO (see page.118)** - Support with right threaded nut available from stock.

> **Approximate weight with accessories, fitting bolts and Supports Base BD LVO.**

NUT CCB/N	CODE Dx	ARTICLE Dx	CODE Sx	ARTICLE Sx	A	B BD LVO	C	S	H	HB	F1	F2	Hex screws for fitting	Slot required for fitting	Threaded Lubricator	WEIGHT Kg
TR 10x2	300SM4102R	LVO TR 10x2 R	300SM4102L	LVO TR 10x2 L	41	75	50	12	15	27	59	34	M6	Ø10x57x2	M6x1	0,290
TR 10x3	300SM4103R	LVO TR 10x3 R	300SM4103L	LVO TR 10x3 L	41	75	50	12	15	27	59	34	M6	Ø10x57x2	M6x1	0,290
TR 12x3	300SM4123R	LVO TR 12x3 R	300SM4123L	LVO TR 12x3 L	46	80	50	12	17,5	29,5	64	34	M6	Ø10x62x2	M6x1	0,330
TR 14x3	300SM4143R	LVO TR 14x3 R	300SM4143L	LVO TR 14x3 L	46	80	50	12	17,5	29,5	64	34	M6	Ø10x62x2	M6x1	0,330
TR 14x4	300SM4144R	LVO TR 14x4 R	300SM4144L	LVO TR 14x4 L	46	80	50	12	17,5	29,5	64	34	M6	Ø10x62x2	M6x1	0,330
TR 16x4	300SM4164R	LVO TR 16x4 R	300SM4164L	LVO TR 16x4 L	54	90	60	15	20	35	70	40	M8	Ø12x69x3	1/8G	0,520
TR 18x4	300SM4184R	LVO TR 18x4 R	300SM4184L	LVO TR 18x4 L	59	100	65	15	22,5	37,5	80	45	M8	Ø12x74x3	1/8G	0,640
TR 20x4	300SM4204R	LVO TR 20x4 R	300SM4204L	LVO TR 20x4 L	64	100	70	15	25	40	80	50	M8	Ø12x79x3	1/8G	0,750
TR 22x5	300SM4225R	LVO TR 22x5 R	300SM4225L	LVO TR 22x5 L	64	100	70	15	25	40	80	50	M8	Ø12x79x3	1/8G	0,750
TR 24x5	300SM4245R	LVO TR 24x5 R	300SM4245L	LVO TR 24x5 L	74	125	80	20	27,5	47,5	95	50	M10	Ø14x91x4	1/8G	1,220
TR 25x5	300SM4255R	LVO TR 25x5 R	300SM4255L	LVO TR 25x5 L	74	125	80	20	27,5	47,5	95	50	M10	Ø14x91x4	1/8G	1,220
TR 26x5	300SM4265R	LVO TR 26x5 R	300SM4265L	LVO TR 26x5 L	74	125	80	20	27,5	47,5	95	50	M10	Ø14x91x4	1/8G	1,220
TR 28x5	300SM4285R	LVO TR 28x5 R	300SM4285L	LVO TR 28x5 L	79	130	80	20	30	50	100	50	M10	Ø14x96x4	1/8G	1,370
TR 30x6	300SM4306R	LVO TR 30x6 R	300SM4306L	LVO TR 30x6 L	79	130	80	20	30	50	100	50	M10	Ø14x96x4	1/8G	1,370
TR 32x6	300SM4326R	LVO TR 32x6 R	300SM4326L	LVO TR 32x6 L	79	130	80	20	30	50	100	50	M10	Ø14x96x4	1/8G	1,370
TR 35x6	300SM4356R	LVO TR 35x6 R	300SM4356L	LVO TR 35x6 L	89	140	100	20	35	55	110	70	M10	Ø14x106x4	1/8G	1,830
TR 36x6	300SM4366R	LVO TR 36x6 R	300SM4366L	LVO TR 36x6 L	89	140	100	20	35	55	110	70	M10	Ø14x106x4	1/8G	1,830
TR 40x7	300SM4407R	LVO TR 40x7 R	300SM4407L	LVO TR 40x7 L	104	160	100	25	40	65	125	65	M12	Ø16x118x4	1/8G	2,650

> The supports above are shown assembled in the **Compact Light** Groups (see preceding pages) for which it is possible to calculate the total weight by adding them to the weight of the TR screw using the table on page 107.
 > Using the **mobile support LVO without Supports Base** it is necessary to ensure that the same holes are provided for supports **DVO/A** and **DVO/B** (see preceding pages).
 > To comply with safety regulations it is obligatory to use the locking tabs, the fitting hardware supplied, and ensuring that the arrows engraved in the supports are all facing in the same direction, which for vertical/oblique movements must be facing downwards.