

art.GHA/N

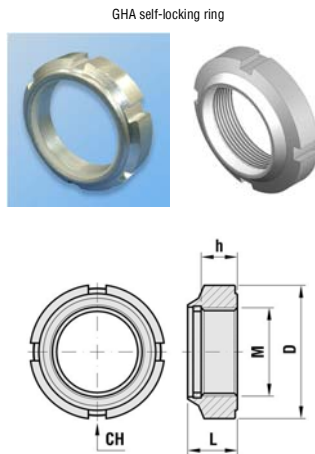
art.GHA/P

SELF-LOCKING RING WITH NYLON INSERT from M10x0,75 to M17x1 normal series - from M20x1 to M60x2 heavy series.

The "GHA" self-locking ring with nylon insert, made from zinc coated steel, is much cheaper than the GBA/GBI rings but naturally has a lower technical quality and we recommend it primarily for trapezoidal screw terminals for manual/horizontal movements where there are no significant pressures that induce the ring to unscrew when facing loads that are not particularly heavy. The use of this self-locking ring in some circumstances requires special technical solutions for correct use which are listed below. As previously mentioned, the "GHA" self-locking ring has a nylon insert that follows the thread where it constantly applies braking to the point that, to screw it onto the screw terminal, using the relative square pinch wrench, it is necessary to block the trapezoidal screw itself. This is particularly simple if the screw is fitted with a handwheel and tab for manual movement because these allow the screw to be blocked and the ring to be mounted initially or for later adjustments on the machine. The "GHA" are used exclusively on threads that do not have any channel (the opposite of the KM ring with locking washer) in that the channel can cut the nylon of the self-locking ring making it lose braking effect.

The table below shows the correct GHA ring required for each specific threaded bar code.

To tighten the GHA ring, as with the KM, use square pin wrenches as detailed on the chart.



• CODIFICATION AND SIZING

Use of GHA rings in reference to the type of threaded bar										
FC* series threaded bar (shank side machined with sufficient space for ring)	IF/BID** series threaded bar (TR threaded side machined to the core diameter)	GHA CODE	Usable ring art.GHA/..	M	D	L	h	CH wrench for GHA	Weight Kg	
* TR10-12	TR16	10210	GHA/N 10	M10x0,75	18	7,4	4,5	16/20	0,006	
TR14	TR18	10212	GHA/N 12	M12x1	21	7,4	4,5	16/20	0,009	
TR16	TR20-22	10215	GHA/N 15	M15x1	24	8,4	5,5	25/28	0,012	
TR18-20	TR24-25	10217	GHA/N 17	M17x1	28	8,4	5,5	25/28	0,016	
TR22-24-25	TR26-28-30	10220	GHA/P 20	M20x1	32	13	9,5	30/32	0,036	
TR26-28-30	TR32-35-36	10225	GHA/P 25	M25x1,5	38	14	10,5	34/36	0,053	
TR32-35-36	TR40	10230	GHA/P 30	M30x1,5	44	14	10,5	40/42	0,068	
TR40	TR45-46	10235	GHA/P 35	M35x1,5	50	15	11	45/50	0,088	
TR45-46	TR50-55	10240	GHA/P 40	M40x1,5	56	16,5	12	52/55	0,114	
TR50	TR60	10245	GHA/P 45	M45x1,5	62	16,5	12,2	58/62	0,140	
TR55	TR65	10250	GHA/P 50	M50x1,5	68	18,5	12,5	68/75	0,188	
TR60	TR70	10255	GHA/P 55	M55x2	75	18,5	12,5	68/75	0,225	
TR65	TR80	10260	GHA/P 60	M60x2	80	18,5	13,5	80/90	0,238	

* To use the GHA 10 ring on the shank side FC series threaded bar TR10 a stop needs to be created by inserting CCA TR10 nut at the end of the thread and pinning or blocking it.