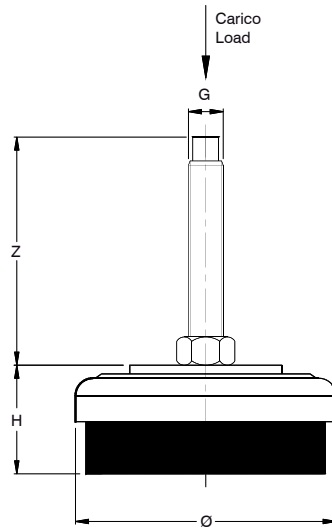


## Levelling Mounts

### Type POG

Uses:

- Machine tools



Antivibration feet for machines and equipments with loads applied from 500 daN to 4000 daN.

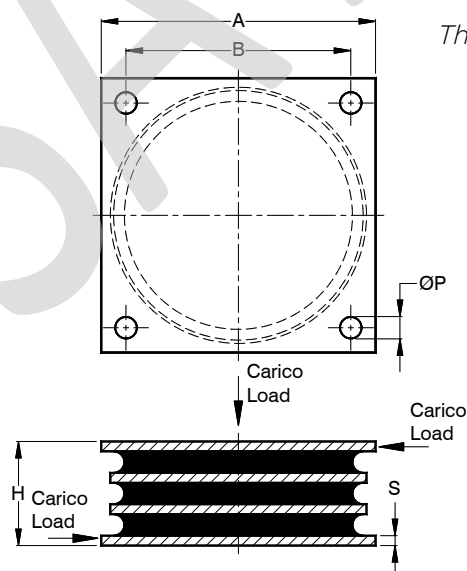
Code	Hardness (IRHD)	Sizes						Average Stiffness (daN/mm)	Max load (daN)	Max Deformation (mm)
		Ø mm	H min mm	H max mm	G mm	Z min mm	Z max mm			
4400	80	80	35	46	M12x1,25	87	98	250	500	2,0
4401	80	120	40	51	M16x1,5	93	104	400	1000	2,5
4402	80	160	50	63	M20x1,5	125	138	900	2000	2,2
4403	80	200	60	73	M20x1,5	125	138	1500	4000	2,7

## Multiplate Antivibration Mountings with a Square Base

### Type MACOM

Uses:

- Engines
- Agricultural machineries
- Earthmoving machines



These antivibration mountings are suitable for insulating noises and vibrations produced by vertical loads.

Code	Hardness (IRHD)	Sizes					Average stiffness under compression (daN/mm)	Max load under compression (daN)	Average stiffness under shearing stress (daN/mm)	Max load under shearing stress (mm)
		A mm	B mm	ØP mm	H mm	S mm				
4600	60	166	136	13,5	63	6	1100	4950	23	580

## Technical Articles on Drawing

Thanks to forty-year experience in the field of antivibration mountings, manufactures industrial articles and metal/rubber items on drawing for several applications. Here below you can see some of them developed and produced during these years in order to fulfil our own customers' request. Our technical department, by the help of a powerful designing software, PRO-ENG, gives customers "key in hand" as to offer them solutions starting from the very first step of antivibration mountings project to reverse engineering.

### OUR MAIN APPLICATION FIELDS:

Spare parts for earthmoving machines  
"Special" items for hydraulic breakers  
Supports for waste collection machines  
Supports for bio-medical machines  
"Special" mounts by polyurethane



BUILDING



AGRICULTURE



NAVAL



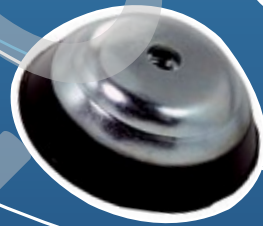
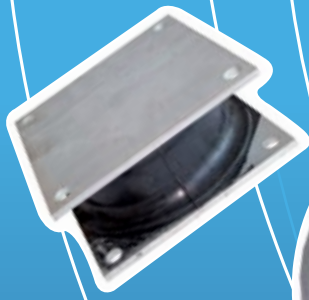
AUTOMOTIVE



INDUSTRY



**DO NOT HESITATE TO GET IN TOUCH  
WITH US FOR AN ENQUIRY!**



FISATECH