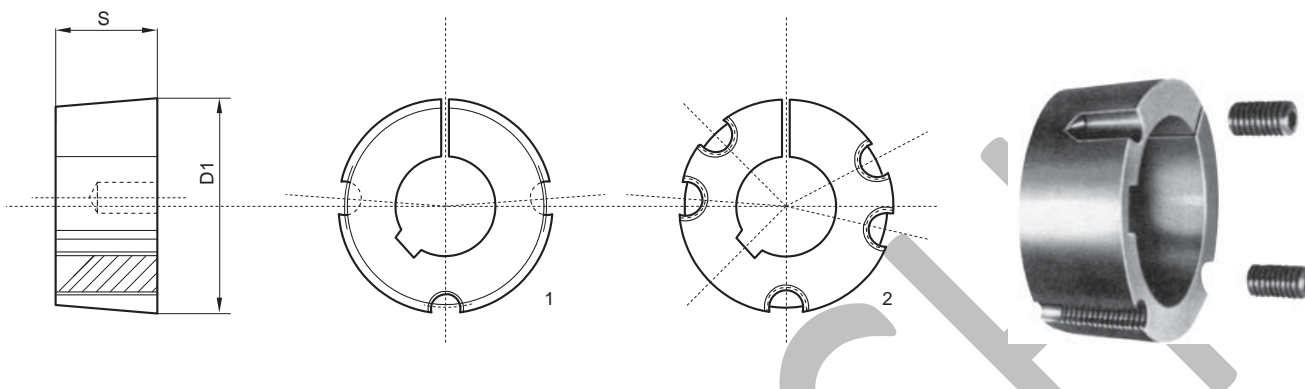


Príslušenstvo reťazových kolies

DIN 8187

Upínacie púzdra TAPER-LOCK®



Metrický rad, možné vyhotovenie aj v palcovej miere

Materiál: sivá liatina G22

*Príklad označenia: otvor v mm Ø 14 = 1615014

| Typ | Označ. | Otvor s drážkou pre pero (ISO E 8) [mm] | | | | | | | | | | | | Prenáš. Mk [N/m] | B.S.W. skrutky | D1 [mm] | Typ | S [mm] | Váha [kg] | | | | | |
|------|---------|--|----|----|----|----|-----|-----|-------------|------|-------|-----------|-------|------------------------|-------------------|---------------|---------------|---------------|---------------|--------------|------|------|------|------|
| | | 9 | 10 | 11 | 12 | 14 | 16 | 18 | 19 | 20 | 22 | 24 | 25 | | | | | | | | | | | |
| 1008 | 1008... | 9 | 10 | 11 | 12 | 14 | 16 | 18 | 19 | 20 | 22 | 24 | 25 | 136 | 1/4" x 1/2" | 35,0 | 1 | 22,3 | 0,16 | | | | | |
| 1108 | 1108 | 9 | 10 | 11 | 12 | 14 | 16 | 18 | 19 | 20 | 22 | 24 | 25 | 28* | 147 | 1/4" x 1/2" | 38,0 | 1 | 22,3 | 0,16 | | | | |
| 1210 | 1210 | 11 | 12 | 14 | 16 | 18 | 19 | 20 | 22 | 24 | 25 | 28 | 30 | 32 | 407 | 3/8" x 5/8" | 47,5 | 1 | 25,4 | 0,32 | | | | |
| 1215 | 1215 | 14 | 19 | 20 | 24 | 25 | 28 | 407 | 3/8" x 5/8" | 47,5 | 1 | 38,1 | 0,50 | | | | | | | | | | | |
| 1610 | 1610 | 14 | 16 | 18 | 19 | 20 | 22 | 24 | 25 | 28 | 30 | 32 | 35 | 38 | 40* | 42* | 486 | 3/8" x 5/8" | 57,0 | 1 | 25,4 | 0,41 | | |
| 1615 | 1615 | 14 | 16 | 18 | 19 | 20 | 22 | 24 | 25 | 28 | 30 | 32 | 35 | 38 | 40* | 42* | 486 | 3/8" x 5/8" | 57,0 | 1 | 38,1 | 0,60 | | |
| 2012 | 2012 | 14 | 16 | 18 | 19 | 20 | 22 | 24 | 25 | 28 | 30 | 32 | 35 | 38 | 40 | 42 | 45 | 48 | 808 | 7/16" x 7/8" | 70,0 | 1 | 31,8 | 0,75 |
| 2517 | 2517 | 16 | 18 | 19 | 20 | 22 | 24 | 25 | 28 | 30 | 32 | 35 | 38 | 40 | 42 | 45 | 48 | 50 | 1310 | 1/2" x 1" | 85,5 | 1 | 44,5 | 1,06 |
| 3020 | 3020... | 25 | 28 | 30 | 32 | 35 | 38 | 40 | 42 | 45 | 48 | 50 | 55 | 60 | 65 | 70 | 75 | 2710 | 5/8" x 1 1/4" | 108,0 | 1 | 50,8 | 2,50 | |
| 3030 | 3030... | 35 | 38 | 40 | 42 | 45 | 48 | 50 | 55 | 60 | 65 | 70 | 75 | 2710 | 5/8" x 1 1/2" | 108,0 | 1 | 76,2 | 3,75 | | | | | |
| 3525 | 3525... | 35 | 38 | 40 | 42 | 45 | 48 | 50 | 55 | 60 | 65 | 70 | 75 | 80 | 85 | 5060 | 1/2" x 1 1/2" | 127,0 | 2 | 64,9 | 4,20 | | | |
| 3535 | 3535... | 35 | 38 | 40 | 42 | 45 | 48 | 50 | 55 | 60 | 65 | 70 | 75 | 80 | 100* | 5060 | 1/2" x 1 1/2" | 127,0 | 2 | 88,9 | 5,13 | | | |
| 4030 | 4030... | 40 | 42 | 45 | 48 | 50 | 55 | 60 | 65 | 70 | 75 | 80 | 85 | 90 | 100* | 90* | 8740 | 5/8" x 1 1/2" | 146,0 | 2 | 76,2 | 6,75 | | |
| 4040 | 4040... | 40 | 42 | 45 | 48 | 50 | 55 | 60 | 65 | 70 | 75 | 80 | 85 | 90 | 8740 | 5/8" x 1 3/4" | 146,0 | 2 | 101,6 | 7,68 | | | | |
| 4545 | 4545... | 55 | 60 | 65 | 70 | 75 | 80 | 85 | 90 | 100* | 12400 | 3/4" x 2" | 162,0 | 2 | 115,0 | 10,56 | | | | | | | | |
| 5050 | 5050... | 70 | 75 | 80 | 85 | 90 | 100 | 105 | 110 | 115 | 120 | 125 | 12400 | 7/8" x 2 1/4" | 177,6 | 2 | 127,0 | 15,17 | | | | | | |

| D | | b | Js9 | t | | Rozmery drážok | | |
|----|-----------|----|---------|---------|-----|----------------|---------|---|
| Od | do | | | | | D* | b | t |
| 10 | 12 | 4 | ± 0,015 | D + 1,8 | 24* | 8 | D + 1,3 | |
| » | 12 » 17 | 5 | | D + 2,3 | | | | |
| » | 17 » 22 | 6 | | D + 2,8 | | | | |
| » | 22 » 30 | 8 | ± 0,018 | D + 3,3 | 25* | 8 | D + 1,3 | |
| » | 30 » 38 | 10 | | D + 3,3 | | | | |
| » | 38 » 44 | 12 | D + 3,3 | | | | | |
| » | 44 » 50 | 14 | ± 0,021 | D + 3,8 | 28* | 8 | D + 1,3 | |
| » | 50 » 58 | 16 | | D + 4,3 | | | | |
| » | 58 » 65 | 18 | D + 4,4 | | | | | |
| » | 65 » 75 | 20 | ± 0,026 | D + 4,9 | 42* | 12 | D + 1,3 | |
| » | 75 » 85 | 22 | | D + 5,4 | | | | |
| » | 85 » 95 | 25 | | D + 5,4 | | | | |
| » | 95 » 110 | 28 | ± 0,031 | D + 6,4 | 65* | 18 | D + 2,8 | |
| » | 110 » 130 | 32 | | D + 7,4 | | | | |

Rozmery otvoru s drážkami pre pero (UNI 6604-69 DIN 6885) pre metrický rad.