

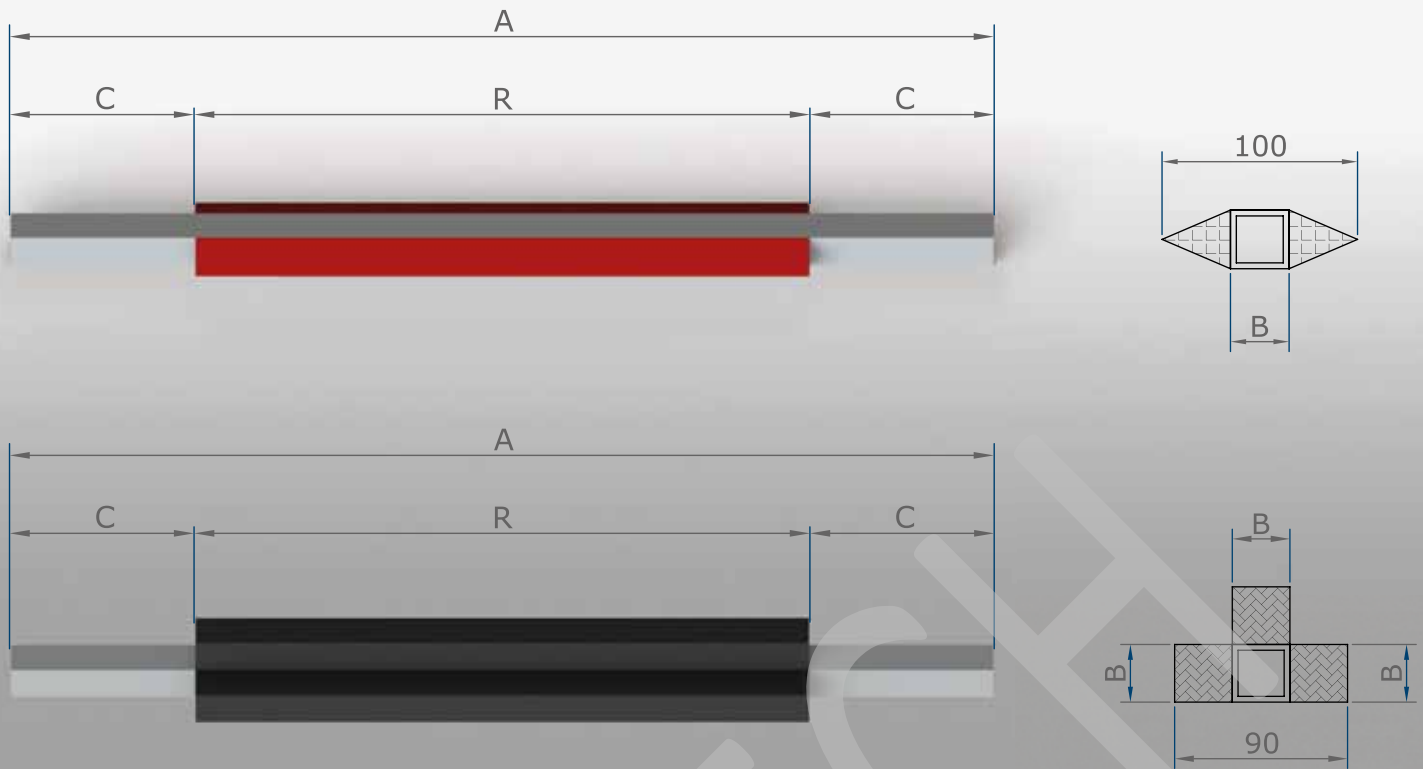
BIDIRECTIONAL MULTI BLADES SCRAPER

CODE	N	N° BLADES	A	H min	H max	H	WEIGHT KG	BELT
RRV1040	300	3	900	195	345	350	14,60	400
RRV1050	400	4	1050				16,30	500
RRV1065	600	6	1200				18,90	650
RRV1080	700	7	1300				20,40	800
RRV1100	900	9	1500				23,20	1000
RRV1120	1100	11	1800				26,50	1200
RRV1140	1300	13	2000				29,30	1400

PRODUCT DESCRIPTION

The reversible scraper POLYCLEANER is designed for absorbing strong shocks, shocks due to the accidental presence of foreign materials on the tape. The multi blades structure guarantees an high level of cleaning at the belt, expecially in critical situation. Easy to install and adjust even in existing structures.

The right installation and adjustment, are very important for having the best results. In a brochure you can follow the instruction.



REVERSIBLE POLYURETHANE/STEEL

CODE	A	B	C	R	BELT
RCPA050	800	30	150	500	500
RCPA065	900			650	650
RCPA080	1100			800	800
RCPA100	1400		200	1000	1000
RCPA120	1600			1200	1200

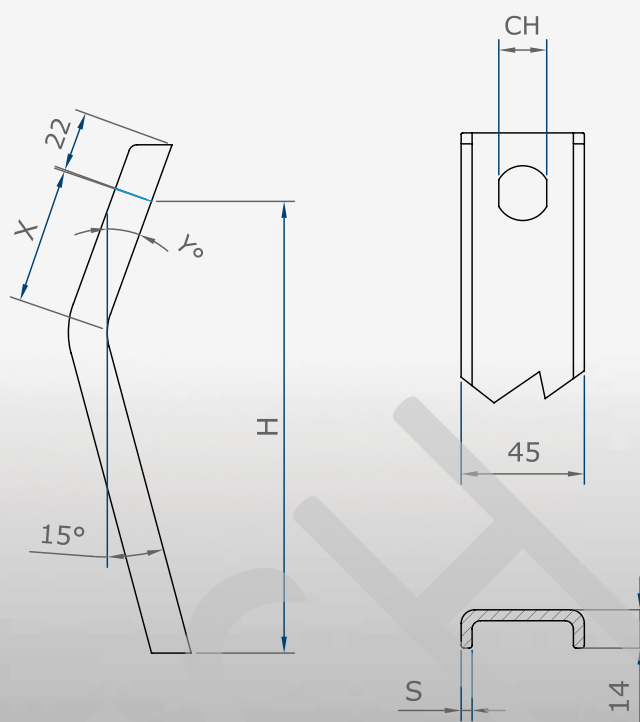
REVERSIBLE RUBBER/STEEL

CODE	A	B	C	R	BELT
RCGA050	800	30	150	500	500
RCGA065	900			650	650
RCGA080	1100			800	800
RCGA100	1400		200	1000	1000
RCGA120	1600			1200	1200

PRODUCT DESCRIPTION

Rhombus-type scrapers are used for cleaning the belt. They are made of a mixture of special polyurethane which makes them highly resistant to wear. Support brackets can also be supplied on request.

Cross-type scrapers are used for cleaning the belt. They are made of a mixture of special rubber which makes them highly resistant to wear. Support brackets can also be supplied on request.

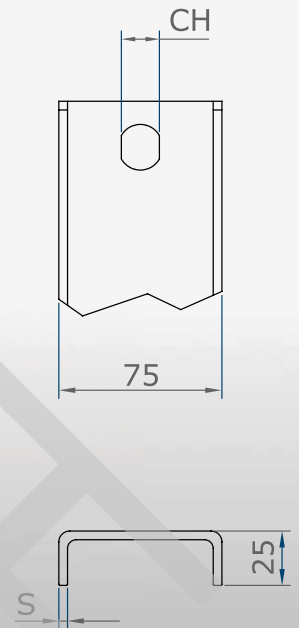
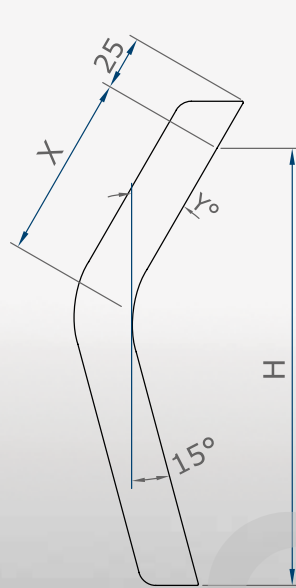


20° WITH CENTRAL SUPPORT H 50

CODE	H	CH	X	S	Y°	WEIGHT KG	BELT
S00240	145	17,5	40	4	20	0,290	400
S00245	150					0,300	450
S00250	165					0,330	500
S00260	182					0,364	600
S00265	188					0,376	650
S00270	198					0,396	700

PRODUCT DESCRIPTION

Lateral supports for pairs at 20° in cold-pressed steel.

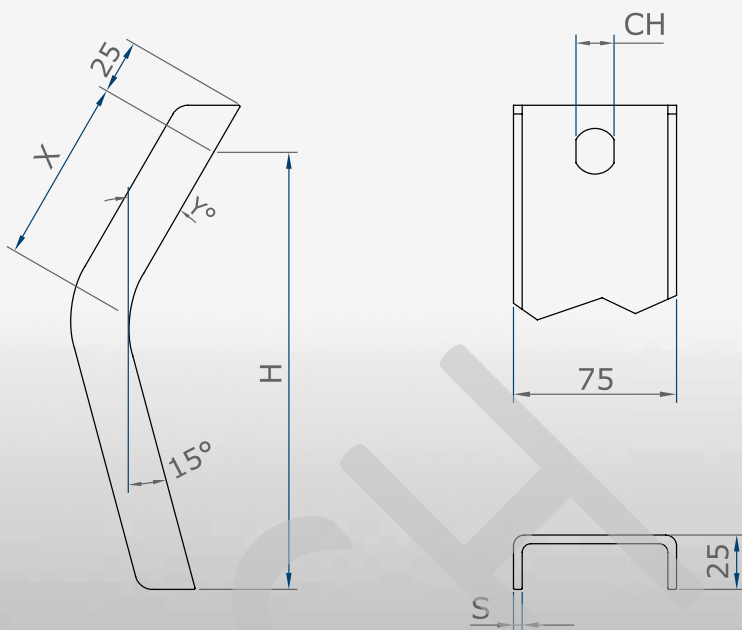


20° WITH CENTRAL SUPPORT H 62

CODE	H	CH	X	S	Y°	WEIGHT KG	BELT
S01250	178	17,5	70	4	20	0,745	500
S01260	195					0,795	600
S01265	201					0,818	650
S01270	210					0,855	700

PRODUCT DESCRIPTION

Central supports for pairs at 20° in cold-pressed steel.

**20° WITH CENTRAL SUPPORT H 80**

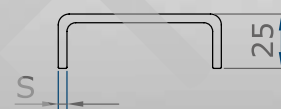
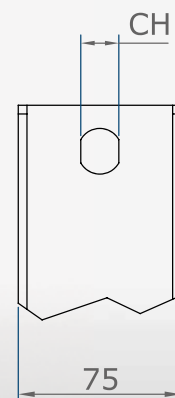
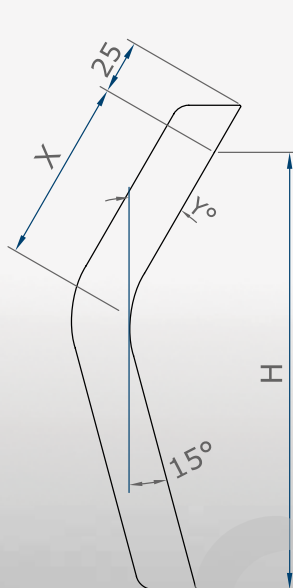
CODE	H	CH	X	S	Y°	WEIGHT KG	BELT
S102050	150	17,5	70	4	20	0,619	500
S102060	160					0,658	600
S102065	168					0,728	650
S102070	185					0,755	700
S102080	191					0,779	800
S102090	201					0,818	900
S102100	211					0,856	1000
S102120	241					0,967	1200
S102140	270					1,074	1400

20° WITH CENTRAL SUPPORT H 100

CODE	H	CH	X	S	Y°	WEIGHT KG	BELT
S112060	188	17,5	70	4	20	0,768	600
S112065	195					0,795	650
S112070	211					0,857	700
S112080	217					0,880	800
S112090	230					0,927	900
S112100	241					0,967	1000
S112120	270					1,074	1200
S112140	290					1,155	1400

PRODUCT DESCRIPTION

Lateral supports for triples at 20° in cold-pressed steel.



30° WITH CENTRAL SUPPORT H 80

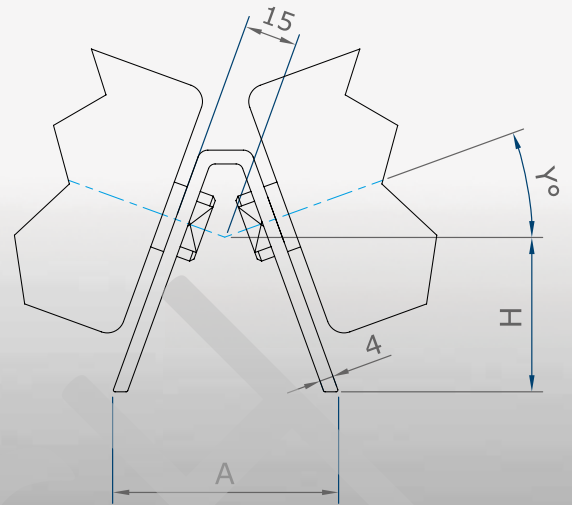
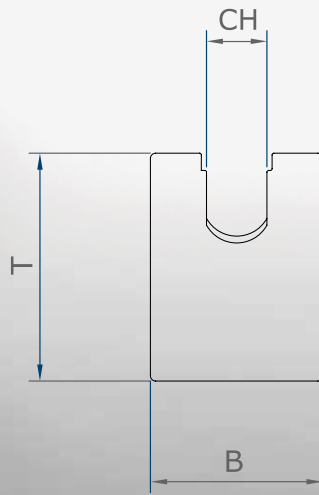
CODE	H	CH	X	S	Y°	WEIGHT KG	BELT
S103050	187	17,5	70	4	30	0,763	500
S103060	202					0,822	600
S103065	211					0,857	650
S103070	235					0,945	700
S103080	243					0,975	800
S103090	260					1,038	900
S103100	275					1,096	1000
S103120	320					1,250	1200
S103140	350					1,347	1400

30° WITH CENTRAL SUPPORT H 100

CODE	H	CH	X	S	Y°	WEIGHT KG	BELT
S113060	229	17,5	70	4	30	0,922	600
S113065	240					0,963	650
S113070	265					1,057	700
S113080	272					1,085	800
S113090	290					1,155	900
S113100	305					1,202	1000
S113120	346					1,335	1200
S113140	380					1,440	1400

PRODUCT DESCRIPTION

Lateral supports for triples at 30° in cold-pressed steel.

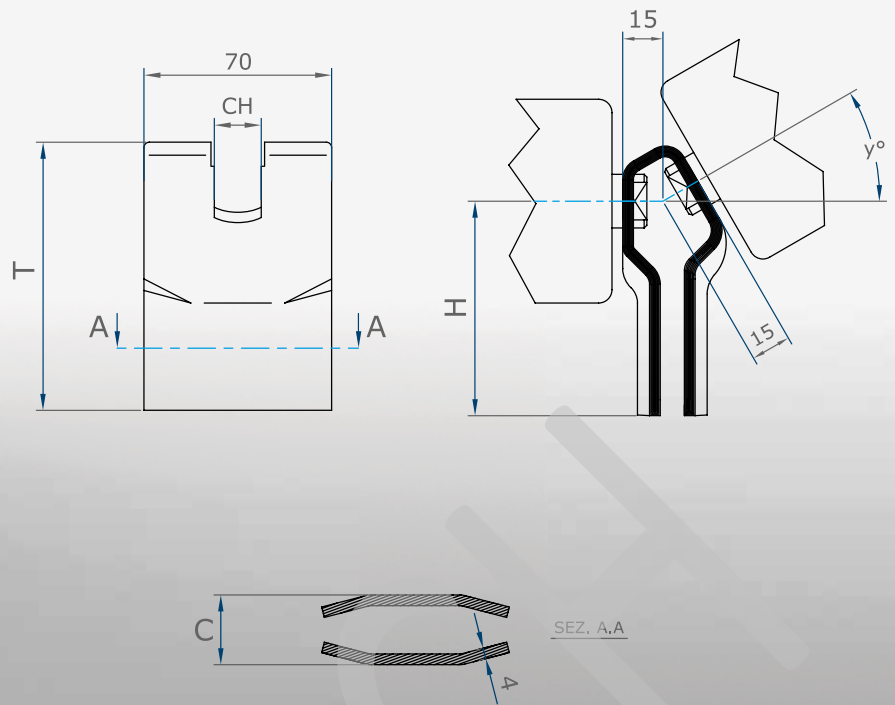


CENTRAL SUPPORTS FOR PAIRS AT 20°

CODE	H	CH	A	B	T	Y°	WEIGHT KG
S00020	50	17,5	58	50	66	20	0,170
S00021	62		68	60	78		0,220

PRODUCT DESCRIPTION

Central supports for pairs at 20° in cold-pressed steel.



CENTRAL SUPPORTS FOR TRIPLES AT 20°

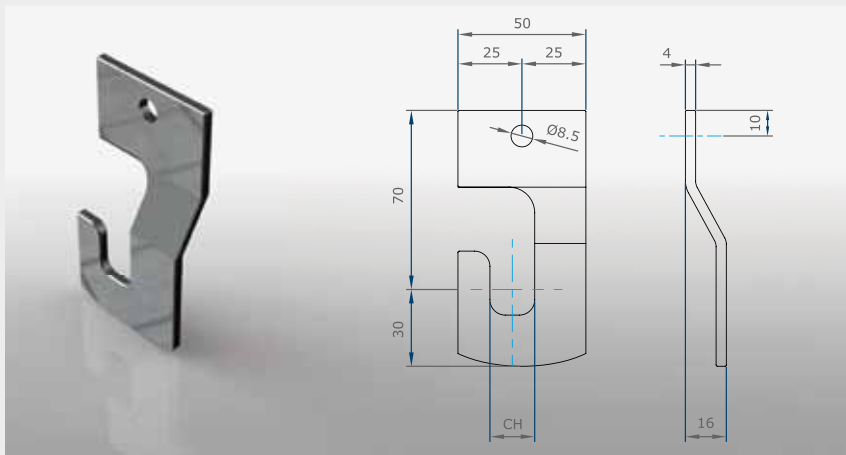
CODE	H	CH	C	T	Y°	WEIGHT KG
S10201	80	17,5	26	100	20	0,430
S10202	100			120		0,530

CENTRAL SUPPORTS FOR TRIPLES AT 30°

CODE	H	CH	C	T	Y°	WEIGHT KG
S10301	80	17,5	28	100	30	0,430
S10302	100			120		0,530

PRODUCT DESCRIPTION

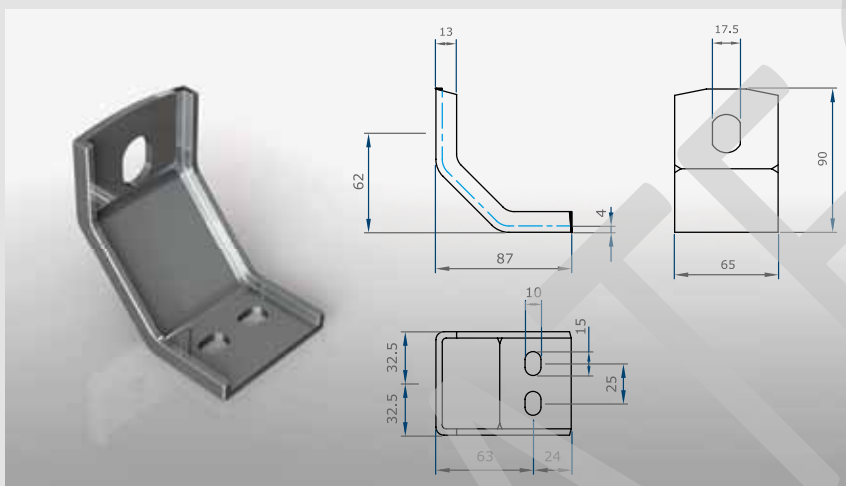
Central supports for triples at 20° and 30° in cold-pressed steel.



PRODUCT DESCRIPTION

Single supports in cold-pressed steel.

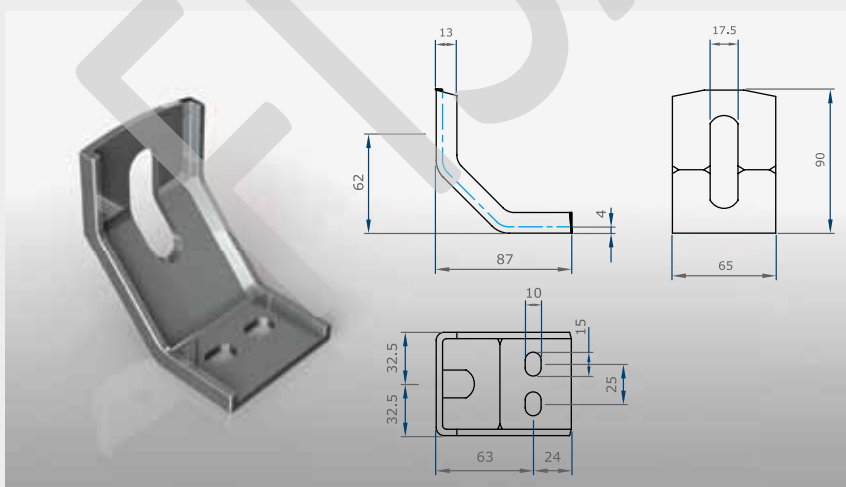
BOTTOM SUPPORTS			
CODE	CH	TYPE	WEIGHT KG
S0530	17,5	RIGHT-HAND	0,120
S0531		LEFT-HAND	0,120



PRODUCT DESCRIPTION

Single supports in cold-pressed steel.

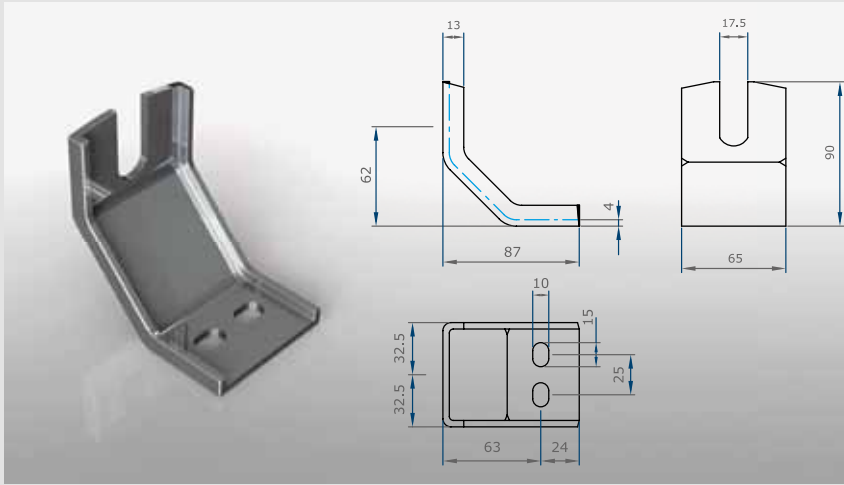
BOTTOM SUPPORTS		
CODE	TYPE	WEIGHT KG
S0500	CLOSED	0,280



PRODUCT DESCRIPTION

Single supports in cold-pressed steel.

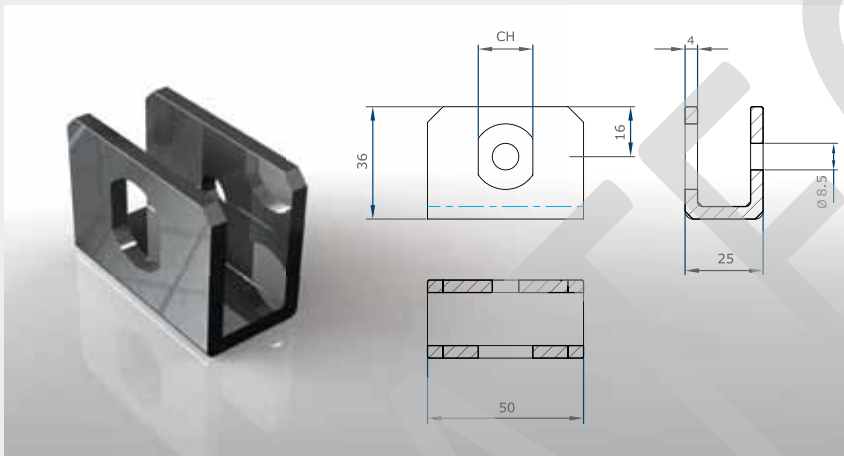
BOTTOM SUPPORTS		
CODE	TYPE	WEIGHT KG
S0502	LONG	0,280



PRODUCT DESCRIPTION

Single supports in cold-pressed steel.

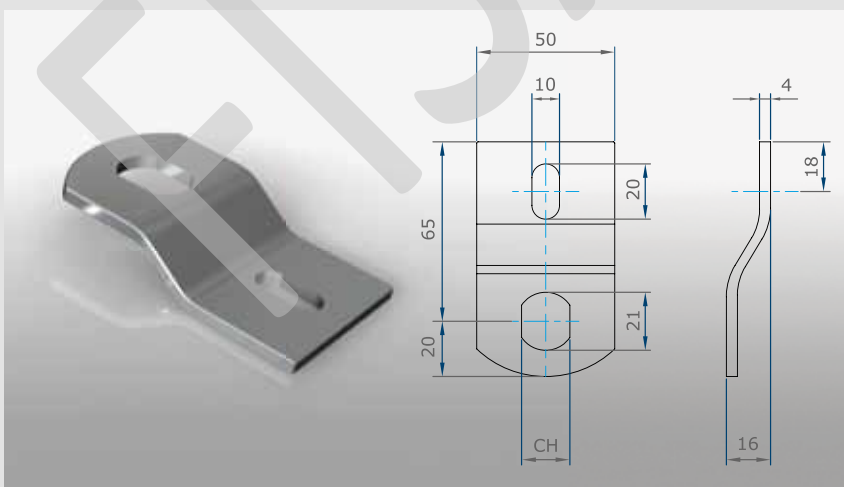
LATERAL SUPPORTS		
CODE	TYPE	WEIGHT KG
S0501	OPEN	0,290



PRODUCT DESCRIPTION

Single supports in cold-pressed steel.

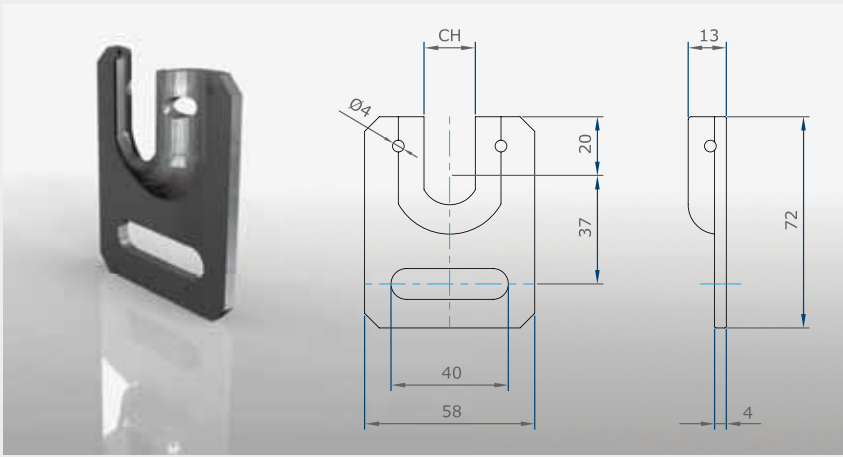
LATERAL SUPPORTS			
CODE	CH	TYPE	WEIGHT KG
S0510	17,5	CLOSED	0,110
S0511		OPEN	0,120



PRODUCT DESCRIPTION

Single supports in cold-pressed steel.

LATERAL SUPPORTS		
CODE	CH	WEIGHT KG
S0520	17,5	0,110

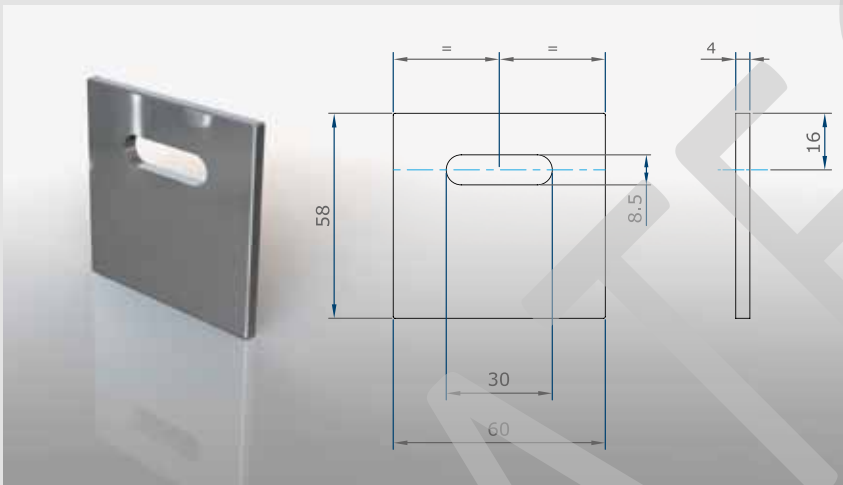


PRODUCT DESCRIPTION

Single supports in cold-pressed steel.

LATERAL SUPPORTS

CODE	CH	WEIGHT KG
S0610	17,5	0,102
S0611	14,5	0,105

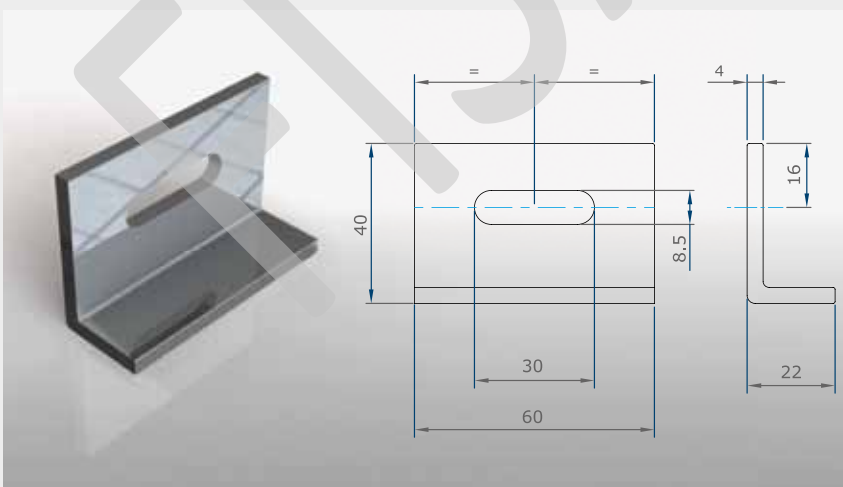


PRODUCT DESCRIPTION

Plate S0540 for supports S0510, S0511, S0520, S0530 and S0531.

LATERAL SUPPORTS FOR BOLTING

CODE	TYPE	WEIGHT KG
S0540	STRAIGHT	0,100

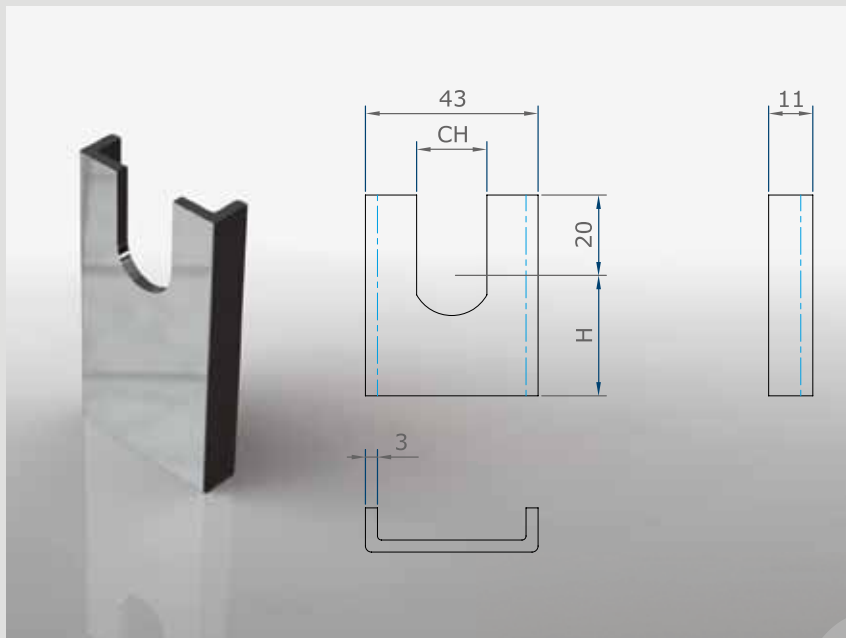


PRODUCT DESCRIPTION

Plate S0541 for supports S0510, S0511, S0520, S0530 and S0531.

PLATES FOR WELDING

CODE	TYPE	WEIGHT KG
S0541	90°	0,100



PLANS			
CODE	H	CH	KG
S0600	30	17,5	0,050
S0601	50		0,090
S0602	60		0,110
S0603	75		0,130
S0604	100		0,160

PRODUCT DESCRIPTION

Single support in cold-pressed steel.

